

SPECIFICATION

For

Switching Mode Power Supply

For

Engineering Sample Approval

M/N : SNP-M159-4

M/N : SNP-M159-4U

M/N : SNP-M159-4C

Standard Product

Reviewed by Product Engineer	<i>Jim</i> <i>5-14-20</i>					
Typed by Project secretary	<i>Joey</i> <i>5-14-20</i>					
SKYNET ELECTRONIC			LAST REV. NO.			

Proprietary Information

Skynet Electronic Co., Ltd.

FM-G4206-1 版期 : 031214

1.0 INTRODUCTIONS

The SNP-M159-4U has four outputs and supplies up to 150W rated convention cooling environment. It's high power density and is designed to comply EN61000-3-2 regulations. The SNP-M159-4U is certified to Medical and ITE safety whilst low leakage current for Type BF.

2.0 INPUT SPECIFICATIONS

2.1 Input Voltage

The range of input voltage is from 90VAC to 264VAC, Nominal line 115VAC/230VAC. Withstand 300Vac surge input for 5sec.

2.2 Input Frequency

The range of input frequency is 47Hz to 63Hz. The range of input nominal frequency is from 50Hz to 60Hz, It should not be damaged at 45Hz to 65Hz.

2.3 Input Current

The maximum input current is 4.0A at 115VAC or 2.0A at 230VAC.

2.4 Inrush Current

The inrush current will not exceed 30A at 115VAC input or 60A at 230VAC input cold start, 25°C. (EMI capacitors excluded)

3.0 OUTPUT SPECIFICATIONS

3.1 Load range

Output	min. load	rated load	max load	Peak Load	voltage accuracy
+5V	0.0A	4.5A	5.0A	5.0A	+4.88V to +5.05V
+48V	0.0A	1.0A	1.3A	1.3A	+47.52V to +48.75V
-12V	0.0A	1.25A	1.66A	1.66A	-11.75V to -12.12V
+24V	0.0A	5A	5A	9A	+23.76V to +24.24V

At factory, the output in 60% rated load and nominal line condition, the +5V output is set to between 4.97V and 5.03V and +48V output is set to between 47.9V and 48.1V and +24V output is set to between 23.95V and 24.05V.

The +5Vdc output voltage shall be adjustable from 3Vdc to 5.5Vdc.

The +48Vdc output voltage shall be adjustable from 43Vdc to 53Vdc.

The -12Vdc output voltage shall be adjustable from -9Vdc to -13Vdc.

Total output power is 150W with convection cooling and 150W~220W with 10CFM forced air cooling.

At peak load and nominal line, the output can last for 5sec without shut down but the total power can't go over 315W.

3.2 Ripple and noise

The peak to peak ripple and noise for all output is less than 1% of output voltage, at rated load and nominal line. Measuring is done by 20MHz bandwidth limited oscilloscope and terminated each output with a 0.47uF+10 uF capacitor.

3.3 Line regulation

The line regulation for all output are less than $\pm 0.5\%$ while measuring at rated load and $\pm 10\%$ of nominal line input voltage changing

3.4 Load regulation

The load regulation for all outputs are less than $\pm 1\%$, which are measured by changing the output load $\pm 40\%$ from 60% rated load, and the other outputs are kept at 60% rated load and nominal line input.

3.5 start up time

The start up time is less than 1sec typ. at 100Vac, 50Hz input voltage, rated load and discharged capacitive load.

3.6 Capacitance loading capability

LVPS must handle the capacitive load shown in table be-low (all loads at the same time)

Output Voltage line	Capacitive load
+24V	10,000uF
+48V	1,000uF
+5V	2,000uF
-12V	500uF

4.0 GENERAL FEATURES**4.1 Efficiency**

The efficiency is $\geq 87\%$ while measuring at nominal line and rated load.

4.2 Hold up time

The hold up time is 20 ms at 100VAC input and rated load, which is measured form the end of the last charging pulse to when the main output drops down to 95% output voltage.

4.3 Protection**4.3.1 Over voltage protection**

The built-in crowbar circuit will shut down the outputs to avoid damaging the external circuits. The trip point of over voltage protection at 24V output is around +27V to +31V. To recover from over voltage protection, cycle the AC line OFF and ON is necessary.

4.3.2 Short circuit and over load protection

The power supply will generate a Auto Recovery mode to protect itself against Short circuit or over load conditions of +24V and +48V.

The -12V and +5V output has it's own circuit protection.

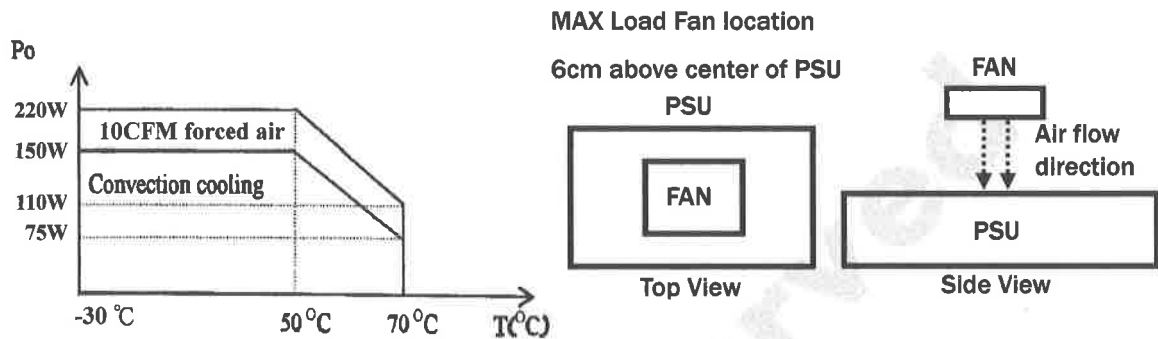
4.3.3 Over Temperature protection

When the over temperature occurs the power supply will shut down and enter the auto recovery mode.

5.0 ENVIRONMENT SPECIFICATIONS

5.1 Operating temperature

-30°C to 70°C, -30°C to 50°C no derating, above 50°C, derate at 2.5% per degree from 50°C to 70°C. (start up at -30°C/ and the range of the input voltage is from 100Vac to 264Vac).



5.2 Storage temperature

-25°C to +60°C

5.3 Operating humidity

10% to 85% Non-Condensing

5.4 Storage humidity

10% to 95% Non-Condensing.

5.5 Altitude

Will operate properly at any altitude between 0 to 5000m.

5.6 MTBF

>200Khrs (based on SR-332, rated load, 50°C)

6.0 INTERNATIONAL STANDARDS

6.1 Safety standards (Label voltage: 100Vac to 240Vac)

Designed to meet the following regulations :

UL/CSA/EN/IEC 62368-1

ANSI/AMMI/CSA/EN/IEC 60601-1,3.1 edition

6.2 EMI standards

Designed to meet the following limits :

FCC level "B"

EN55032, level "B"

EN55011, level "B"

EN61000-3-2 class "D"

EN 61000-3-3

6.3 EMS standards

Designed to meet the following limits :

IEC60601-1-2:2014

IEC61000-4-2	level 1	level 2	level 3	level 4	
Vertical non-direct contact	+2KV	+4KV	+6KV	+8KV	Criterion A
Horizontal non-direct contact	+2KV	+4KV	+6KV	+8KV	Criterion A
Contact discharge	+2KV	+4KV	+6KV	+8KV	Criterion A
Air discharge	+2KV	+4KV	+8KV	+15KV	Criterion A
IEC61000-4-3 : 2006 +A1	10V/M with 80M --2.5GHz				Criterion A
IEC61000-4-4 : 2012	Line to Line +-2KV ; Line to ground +-2KV.				Criterion A
IEC61000-4-5 : 2014	Line to Line 0.5,1.0KV;Line to ground 0.5,1.0,2.0KV.				Criterion A
IEC61000-4-6 : 2013	10V with 0.15MHz --80MHz				Criterion A
IEC61000-4-8 : 2009	30 A/M test at 50,60Hz				Criterion A
IEC61000-4-11 : 2004	Test at 100VAC, 50Hz +-2%, 100% rated load				
	Phase degree	interval time	test cycle		
100 % dips 10 ms	*	10 sec	3		Criterion A
60 % dips 200 ms,	*	10 sec	3		Criterion B
30 % dips 500 ms,	0°	10 sec	3		Criterion A
100% dips 5000ms	0°,180°	7 sec	3		Criterion B
100% dips 20ms	0°	10 sec	3		Criterion B
* : 0,45,90,135,180,225,270,315 degree.					

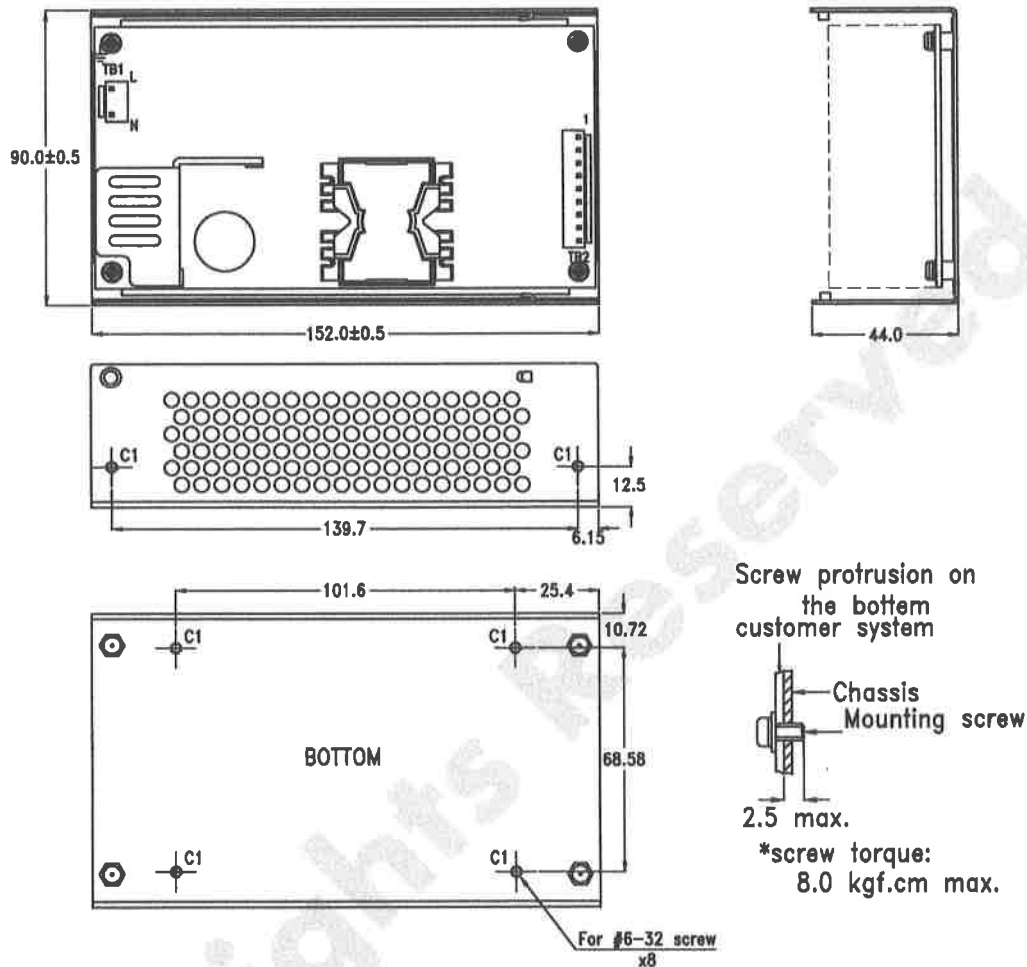
6.4 Others

Comply with ROHS

7.0 MECHANICAL SPECIFICATION

7.1 Dimensions

Dimensions shown in mm as above. Tolerance specified is + -0.4mm.



7.2 Connectors

TB1--AC Input : JST B2P3-VH or equivalent.
(Mates with : JST VHR-3N Housing or equivalent.)

TB2--DC Output : JST B9P-VH or equivalent.
(Mates with : JST VHR-9N Housing or equivalent.)

7.3 DC Output pin assignment

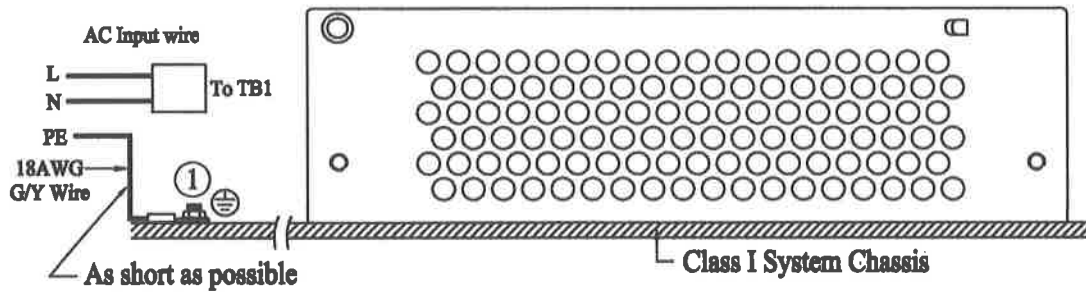
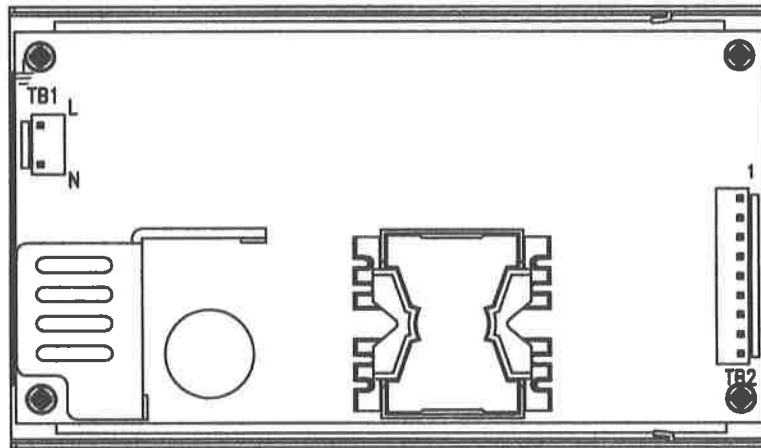
PIN 1	-12V	4	+5V	7	GND
2	+48V	5	GND	8	+24V
3	+5V	6	GND	9	+24V

7.4 Packing

Net weight	:	550 g approx. / unit
Carton size (mm)	:	413 (L) x 377 (W) x 267 (H)
Quantity	:	20 units / carton
Gross weight	:	13.5 kg approx. / carton

8.0 APPLICATION NOTE

8.1 For Class I connection



Note:

1. Must be fixed properly after the ground wire go into chassis for safety reason.