

# Skynet

THE SWITCHER EXPERTS

SINCE 1979

PRODUCTS CATALOGUE 2018





Come to Skynet  
If You Need Specific Power Supply

**Sincerely**

fulfill customers' needs on products and services.

**Seriously**

apply leading edge technologies solutions to the designs.

**Honestly**

interact with customers, suppliers, employees and shareholders.

Quality Mission



## Skynet Fresh power maker

**We Make to Order**

**We apply Lean Manufacturing**

**We are Oriented to Custom Design**

**We promise to Deliver 100% on Time**

**We have No Minimum Order Request**

**Operation Principal**









Here we produce:

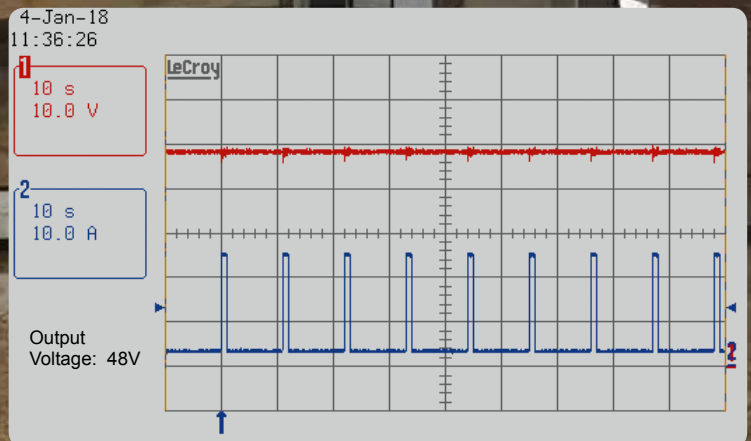
# Magnetic Components Switching Power Supply LED Chip on Board

Skynet own factory is located in Hangzhou area.  
The manufacturing in Shenzhen area was moved to  
here completely in the end of 2016.



# ANNEX TOWER

## An Example of Specific Application (Custom Products)



**Rated Load 160W      Peak Load 1200W**  
**1200W/1.5 Sec. for every 11.5 seconds**

## Custom Products



Game Machine



+5V/36A, +12V/15A, +24V/15A, 720W



Jet Engine



+5.35V/50A, +12.5V/8A, -12.5V/4A, 330W



Endoscopy



+12V/12A, +48V/4.5A, +36V/10A, 720W



## Custom Products



Semiconductor Fab. Instrument



Three outputs + ATX output, 860W



Raid System



+5V/34A, +12V/35A, +3.3V/20A-12V/0.1A, +5Vsb/2A, 670W



Game Machine



+5V/8A, +12V/12A, +24VA/4A, +24VB/4A, 720W



## Custom Products



Endoscopy



+12V/23.8A, +5V/21.3A, +12V/5.4A, +19V/1.5A, -10V/0.1A, 490W



Endoscopy



+14V/20A, +12V/2.9A, +5V/3A, 330W, +12V/3A, -15V/0.4A, +15V/0.4A, 350W



Laser Scalper



+5V/5A, +15V/2A, -15V/1.5A, 557.5W





LED



+48V/41.6A, 2000W



Blood Analyzer



+25V/52A, +42V/8.3, 1650W



Game Machine



+12.3V/10A, +5Vsb/2A, +24Va/11A, +24VB/6A, 541W



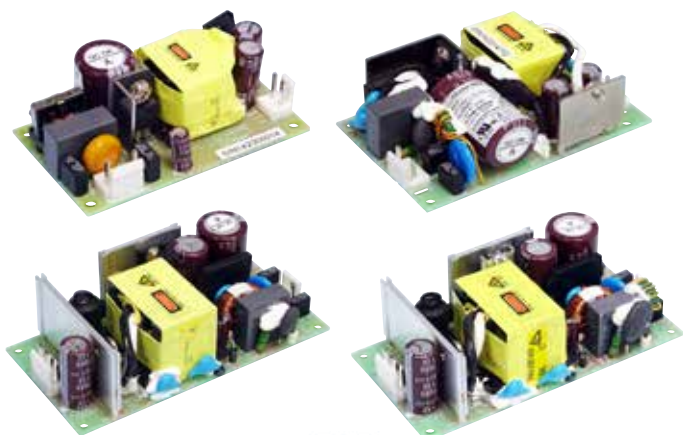


## New Standard Family

Besides Standard Products  
Modification is quite acceptable  
We ship from line instead of stock  
We offer end user Life Time Warranty



	HF3	HF6	HF8	HFA
Rated	30	60	80	100 W
Max.	40	80	100	120 W
Peak	45	90	120	150 W



**FOR HOME HEALTHCARE DEVICES**

### Features:

- Peak load, is 1.5 x rated load for 5 sec
- Convection cooling for Rated power
- No load < 0.1W
- Design for BF application <sup>1)</sup>
- Safety class I/II and EMI class B
- 5,000m operation altitude

### Applications:

- General purpose:  
HFxx, suitable for green power requirement,  
HFxx-A, suitable for no burst sound requirement,
- HFxx-H, suitable for input class II requirement, especially for home healthcare devices.

### General Specifications:

Input voltage ..... 90 VAC to 264 VAC  
 Input frequency ..... 47 Hz to 63 Hz  
 Inrush current ..... < 40/80A at 115/230VAC  
 Hold up time ..... 16ms  
 Over load/Short circuit protection .... auto recovery  
 Over voltage protection ..... latch off  
 Operating temperature ..... -40°C to 70°C  
 derating: 2.5% / °C > 50°C  
 Storage temperature ..... -40°C to +85°C

EMI ..... EN55011 "B", EN61000-3-3  
 Harmonics..... EN61000-3-2, class A  
 EMS..... EN61000-4-2,-3,-4,-5,-6,-8,-11  
 Safety ..... UL/CSA/EN60950-1, 2<sup>nd</sup> edition  
 ANSI/AAMI/CSA/EN60601-1, 3.1 edition  
 CB report, CE mark, RM report/file  
 Energy Saving ..... ENERGY STAR  
 for computers version 6.0  
 for displays version 6.0  
 ErP regulation EC(No) 1275/2008

### Output Specifications:

Rated Power	Model No. <sup>3)</sup>	Output Voltage	Load (A) <sup>2)</sup>			Size WxLxH
			Rated	Max.	Peak	
30W	SNP-HF37, HF37-A	+12V	2.50	3.33	3.75	1.57"x2.76"x0.93"
	SNP-HF38, HF38-A	+15V	2.00	2.67	3.00	
	SNP-HF39, HF39-A	+24V	1.25	1.67	1.88	
60W	SNP-HF67, HF67-A, HF67-H	+12V	5.00	6.67	7.50	2"x3.17"x0.95"
	SNP-HF68, HF68-A, HF68-H	+15V	4.00	5.33	6.00	
	SNP-HF69, HF69-A, HF69-H	+24V	2.50	3.33	3.75	
80W	SNP-HF87, HF87-A, HF87-H	+12V	6.66	7.50	9.00	2"x4"x1.18"
	SNP-HF88, HF88-A, HF88-H	+15V	5.33	6.66	8.00	
	SNP-HF89, HF89-A, HF89-H	+24V	3.33	4.60	5.30	
100W	SNP-HFA7, HFA7-A, HFA7-H	+12V	8.50	10.00	12.50	2"x4"x1.32"
	SNP-HFA8, HFA8-A, HFA8-H	+15V	6.66	8.00	9.40	2"x4"x1.34"
	SNP-HFA9, HFA9-A, HFA9-H	+24V	4.17	5.42	6.25	2"x4"x1.18"

For other output voltage models, please refer to Selection Table pages.

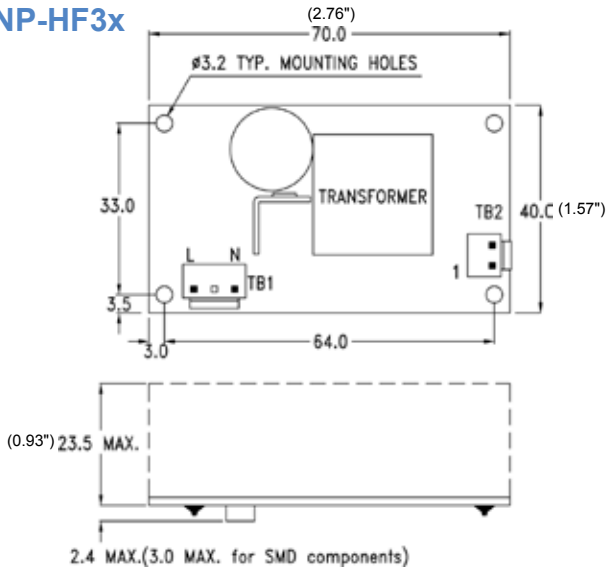
### Note:

1. BF (body floating) application ; Meet 2 x MOPP and Touch current < 100uA.
2. Convection cooling for Rated load ; Forced air cooling for Max. load ; Peak load can last for 5 sec.
3. SNP-HFxx is with no load < 0.1W green power feature, input class I.  
 SNP-HFxx-A is without burst sound, input class I.  
 SNP-HFxx-H is for home healthcare application, input class II and EMI class B.



	HF3	HF6	HF8	HFA
Rated	30	60	80	100 W
Max.	40	80	100	120 W
Peak	45	90	120	150 W

## SNP-HF3x

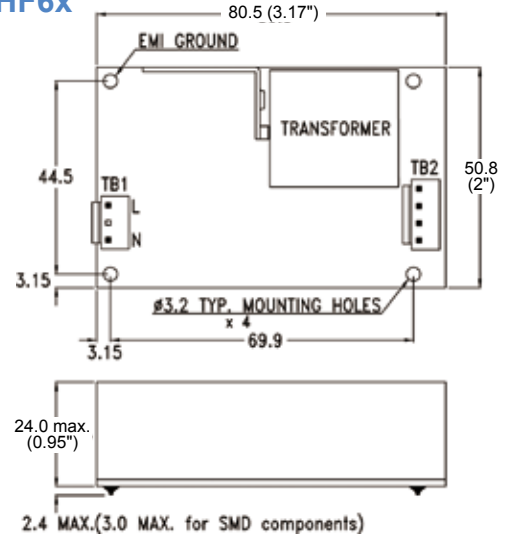


### Notes:

- Size: 1.57" x 2.76" x 0.93"
- Mounting Hole: 33 x 64 (mm)
- Connectors: AC input: JST B2P3-VH or Molex 5277-02A or equivalent DC output: JST B2P-VH or Molex 5273-02A or equivalent
- Output Pin assignment:

1	2
Vo	GND
- Packing: Net weight: 61 g approx. / unit Gross weight: 12 kg approx. / carton, 150 units / carton Carton size (mm): 412 (L) x 327 (W) x 283 (H)

## SNP-HF6x

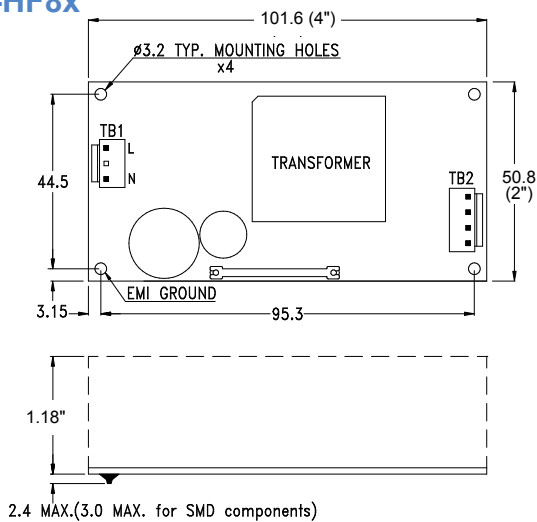


### Notes:

- Size: 2" x 3.17" x 0.95"
- Mounting Hole: 44.5 x 69.9 (mm)
- Connectors: AC input: JST B2P3-VH or equivalent DC output: JST B4P-VH or equivalent
- Output Pin assignment:

1	2	3	4
Vo	Vo	GND	GND
- Packing: Net weight: 114 g approx. / unit Gross weight: 14 kg approx. / carton, 100 units / carton Carton size (mm): 437 (L) x 402 (W) x 240 (H)

## SNP-HF8x

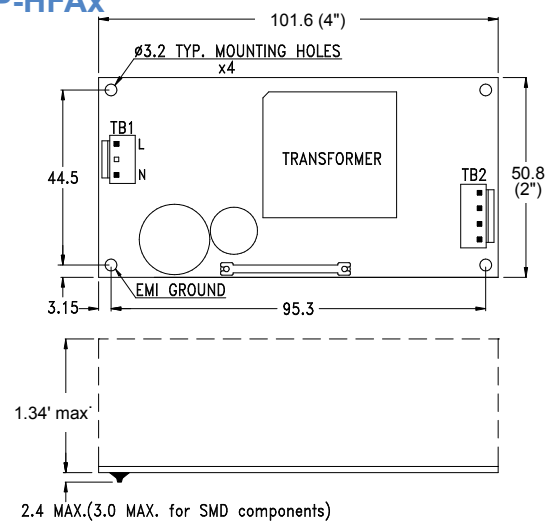


### Notes:

- Size: 2" x 4" x 1.18"
- Mounting Hole: 44.5 x 95.3 (mm)
- Connectors: AC input: JST B2P3-VH or Molex 5277-02A or equivalent DC output: JST B4P-VH or Molex 5273-04A or equivalent
- Output Pin assignment:

1	2	3	4
Vo	Vo	GND	GND
- Packing: Net weight: 160 g approx. / unit Gross weight: 15 kg approx. / carton, 80 units / carton Carton size (mm): 382 (L) x 374 (W) x 277 (H)

## SNP-HFAx



### Notes:

- Size: SNP-HFA7/-A/-H : 2" x 4" x 1.32" SNP-HFA8/-A/-H : 2" x 4" x 1.34" SNP-HFA9/-A/-H : 2" x 4" x 1.18"
- Mounting Hole: 44.5 x 95.3 (mm)
- Connectors: AC input: JST B2P3-VH or equivalent DC output: JST B4P-VH or equivalent
- Output Pin assignment:

1	2	3	4
GND	GND	Vo	Vo
- Packing: Net weight: 165 g approx. / unit Gross weight: 15.5 kg approx. / carton, 80 units / carton Carton size (mm): 382 (L) x 374 (W) x 277 (H)



	GK6	
Rated	60	W
Peak	84	W



## Features:

- Peak load, is 1.3 ~ 1.4 x rated load for 3 sec
- Convection cooling for Rated power
- Design for BF application<sup>1)</sup>
- Safety class I / II and EMI class B
- 3,000m operation altitude

## Applications:

- ITE applications, especially for peak load requirement, such as motor drive, coffee machine, vending machine, gaming machine.
- Medical applications, such as home healthcare device, ventilator and other medical devices.

## General Specifications:

Input voltage ..... 90 VAC to 264 VAC  
 Input frequency ..... 47 Hz to 63 Hz  
 Inrush current ..... < 30/60A at 115/230VAC  
 Hold up time ..... 16ms typical  
 Over load/Short circuit protection .... auto recovery  
 Over voltage protection ..... latch off  
 Operating temperature ..... -20°C to 70°C  
    derating: 2.5% / °C > 50°C  
 Storage temperature ..... -40°C to +85°C

EMI ..... EN55011/EN55022 "B", EN61000-3-2,-3  
 Harmonics ..... EN61000-3-2, class A  
 EMS..... EN61000-4-2,-3,-4,-5,-6,-8,-11  
 Safety ..... UL/CSA/EN60950-1, 2<sup>nd</sup> edition  
    ANSI/AAMI/CSA/EN60601-1, 3.1 edition  
    CB report, CE mark, RM report/file

## Output Specifications:

Rated Power	Model No. <sup>3)</sup>	Output Voltage	Load (A) <sup>2)</sup>		Size WxLxH
			Rated	Peak	
60W	SNP-GK67, SNP-GK67-M, SNP-GK67-MH	+12V	5.00	6.50	2"x4"x0.97"
	SNP-GK68, SNP-GK68-M, SNP-GK68-MH	+15V	4.00	5.60	
	SNP-GK65, SNP-GK65-M, SNP-GK65-MH	+18V	3.33	4.67	
	SNP-GK69, SNP-GK69-M, SNP-GK69-MH	+24V	2.50	3.50	
	SNP-GK6G, SNP-GK6G-M, SNP-GK6G-MH	+28V	2.14	3.00	
	SNP-GK6J, SNP-GK6J-M, SNP-GK6J-MH	+36V	1.66	2.21	
	SNP-GK6T, SNP-GK6T-M, SNP-GK6T-MH	+48V	1.25	1.75	
	SNP-GK6H, SNP-GK6H-M, SNP-GK6H-MH	+60V	1.00	1.40	

For other output voltage models, please refer to Selection Table pages.

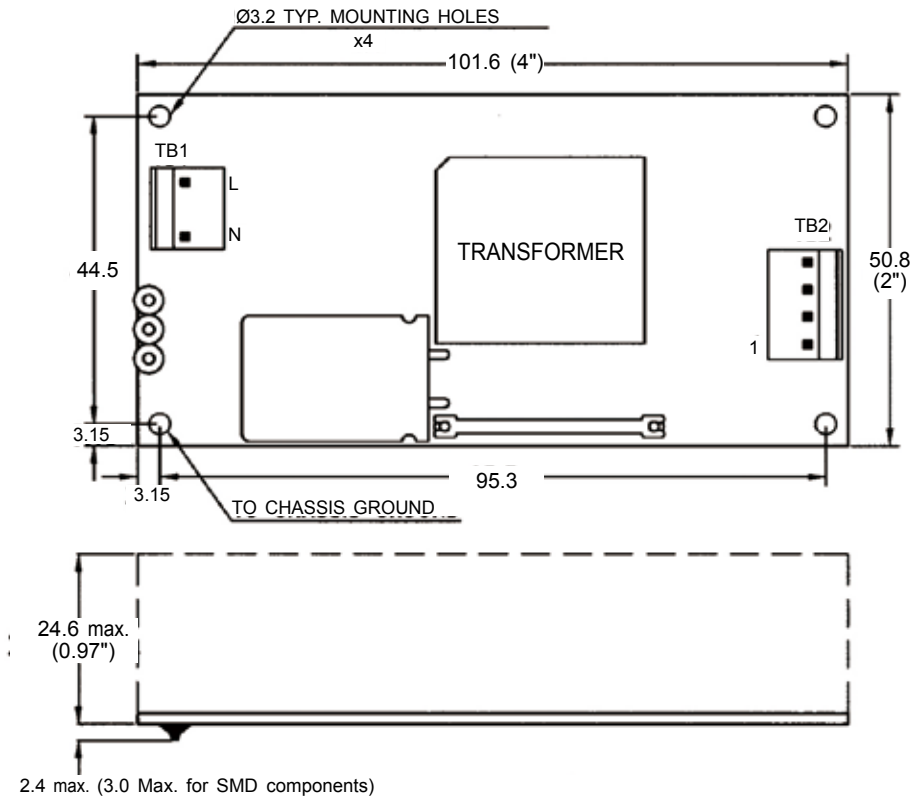
### Note:

1. BF (body floating) application: Meet 2 x MOPP and Touch current < 100uA.
2. Convection cooling for Rated load ; Peak load can last for 3 sec.
3. SNP-GK6x is for ITE application.  
    SNP-GK6x-M is for Medical application.  
    SNP-GK6x-MH is specified for Home Healthcare application, input class II.



	GK6	
Rated	60	W
Peak	84	W

## Mechanical Specifications:



### Notes:

1. Size:  
2" x 4" x 0.97"
2. Mounting Hole:  
44.5 x 95.3 (mm)
3. Connectors:  
AC input: Molex 5277-02A or equivalent  
DC output: Molex 5273-04A or equivalent
4. Only SNP-GK6x and SNP-GK6x-M models have GROUND connection.

### 5. Output Pin assignment:

1	2	3	4
Vo	Vo	GND	GND

### 6. Packing:

Net weight: 110 g approx. / unit  
Gross weight: 14 kg approx. / carton,  
Carton size (mm): 420 (L) x 382 (W) x 277 (H)

# SNP-G Family

	G12	G16	G20
Rated	120	160	200 W
Max.	150	240	300 W
Peak	200	320	400 W



## Features:

- Peak load, is 1.6 ~ 2 x rated load for 5 sec
- Convection cooling for Rated power
- Built-in PFC and 12V output for fan
- Design for BF application <sup>1)</sup>
- EMI class B
- 5,000m operation altitude

## Applications:

- ITE applications, especially for peak load requirement, such as motor drive, coffee machine, vending machine, gaming machine.
- Medical applications, such as home healthcare device, ventilator and other medical devices.

## General Specifications:

Input voltage ..... 90 VAC to 264 VAC  
 Input frequency ..... 47 Hz to 63 Hz  
 Inrush current ..... < 30/60A at 115/230VAC  
 Hold up time ..... 18~20ms typical  
 Over load/Short circuit protection .... auto recovery  
 Over voltage protection ..... latch off  
 Operating temperature ..... -20°C to 70°C  
 derating: 2.5% / °C > 50°C  
 Storage temperature ..... -40°C to +85°C

EMI ..... EN55011/EN55022 "B", EN61000-3-2,-3  
 Harmonics ..... EN61000-3-2, class A & D  
 EMS..... EN61000-4-2,-3,-4,-5,-6,-8,-11  
 Safety ..... UL/CSA/EN60950-1, 2<sup>nd</sup> edition  
 ANSI/AAMI/CSA/EN60601-1, 3.1 edition  
 CB report, CE mark, RM report/file

## Output Specifications:

Rated Power	Model No. <sup>3)</sup>	Output Voltage	Load (A) <sup>2)</sup>			Size WxLxH
			Rated	Max.	Peak	
120W	SNP-G127, G127-A, G127-M, G127-MA, G127-H	+12V	10.00	12.50	16.70	2"x4.2"x1.28"
	SNP-G129, G129-A, G129-M, G129-MA, G129-H	+24V	5.00	6.30	8.30	
	SNP-G12T, G12T-A, G12T-M, G12T-MA, G12T-H	+48V	2.50	3.10	4.20	
160W	SNP-G167, G167-A, G167-M, G167-MA	+12V	13.30	20.00	26.60	3"x5"x1.44"
	SNP-G169, G169-A, G169-M, G169-MA	+24V	6.66	10.00	13.30	
	SNP-G16T, G16T-A, G16T-M, G16T-MA	+48V	3.35	5.00	6.67	
200W	SNP-G207, G207-A, G207-M, G207-MA	+12V	16.50	25.00	33.00	3"x5"x1.44"
	SNP-G209, G209-A, G209-M, G209-MA	+24V	8.40	12.50	16.70	
	SNP-G20T, G20T-A, G20T-M, G20T-MA	+48V	4.20	6.30	8.40	

For other output voltage models, please refer to Selection Table pages.

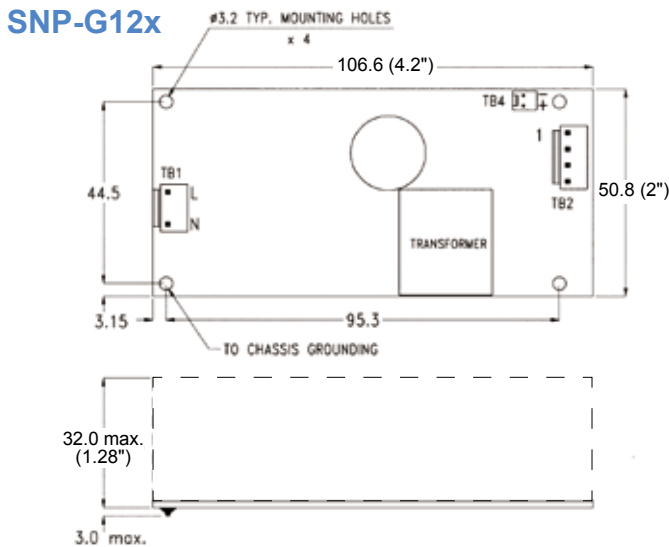
### Note:

1. BF (body floating) application: Meet 2 x MOPP and Touch current < 100uA.
2. Convection cooling for Rated load ; Forced air cooling for Max. load ; Peak load can last for 5 sec.
3. SNP-Gxxx is for ITE application and with no load < 0.5W green power feature.  
 SNP-Gxxx-A is for ITE application and without burst sound.  
 SNP-Gxxx-M is for Medical application and with no load < 0.5W green power feature.  
 SNP-Gxxx-MA is for Medical application and without burst sound.  
 SNP-G12x-H is for home healthcare application, input class II.



# SNP-G Family

	G12	G16	G20
Rated	120	160	200 W
Max.	150	240	300 W
Peak	200	320	400 W



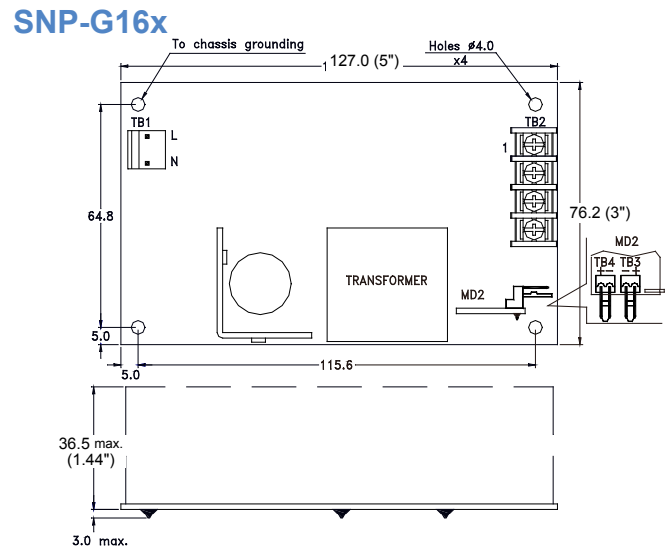
**Notes:**

1. Size: 2" x 4.2" x 1.28"
2. Mounting Hole: 44.5 x 95.3 (mm)
3. Connectors:  
AC input: JST B2P3-VH or equivalent  
DC output: JST B4P-VH or equivalent

**4. Output & Function Pin assignment:**

Pin	Function	TB3
1	Vo	FAN Output
2	Vo	+12V
3	GND	GND
4	GND	+12V

5. Packing:  
Net weight: 160 g approx. / unit  
Gross weight: 10 kg approx. / carton, 80 units / carton  
Carton size (mm): 422 (L) x 412 (W) x 287 (H)



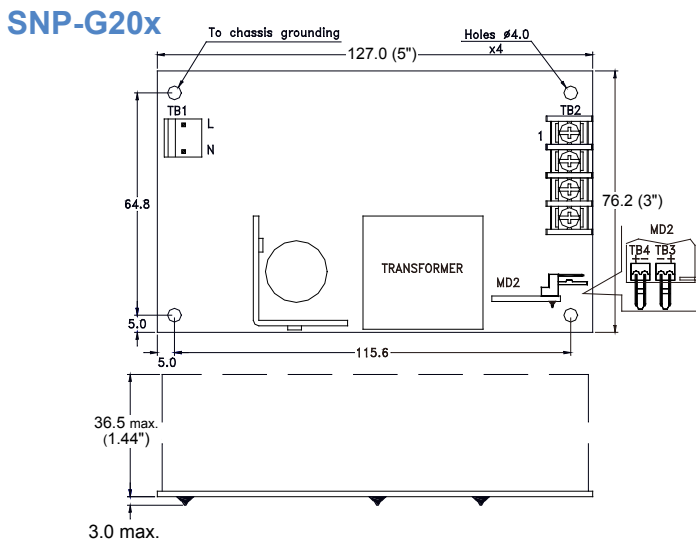
**Notes:**

1. Size: 3" x 5" x 1.44"
2. Mounting Hole: 64.8 x 115.6 (mm)
3. Connectors:  
AC input: Molex 5277-02A or equivalent  
DC output: Terminal blocks (default for SNP-G167) or Molex 5273-08A (default for others) or equivalent  
Fan, Remote sense: Molex 5045-02A or equivalent

**4. Output & Function Pin assignment:**

Pin no.	1	2	3	4	5	6	7	8	Function	TB3	TB4
SNP-G167	+Vo	+Vo	GND	GND						FAN Output	Remote Sense
OTHER MODELS	+Vo	+Vo	+Vo	+Vo	GND	GND	GND	GND		GND	Sense

5. Packing:  
Net weight: 353 g approx. / unit  
Gross weight: 15 kg approx. / carton, 36 units / carton  
Carton size (mm): 384 (L) x 339 (W) x 327 (H)



**Notes:**

1. Size: 3" x 5" x 1.44"
2. Mounting Hole: 64.8 x 115.6 (mm)
3. Connectors:  
AC input: Molex 5277-02A or equivalent  
DC output: Terminal blocks (default for SNP-G207) or Molex 5273-08A (default for others) or equivalent  
Fan, Remote sense: Molex 5045-02A or equivalent

**4. Output & Function Pin assignment:**

Pin no.	1	2	3	4	5	6	7	8	Function	TB3	TB4
SNP-G207	+Vo	+Vo	GND	GND						FAN Output	Remote Sense
OTHER MODELS	+Vo	+Vo	+Vo	+Vo	GND	GND	GND	GND		GND	Sense

5. Packing:  
Net weight: 353 g approx. / unit  
Gross weight: 15 kg approx. / carton, 16 units / carton  
Carton size (mm): 384 (L) x 339 (W) x 327 (H)

# SNP-V Family

	V12	V20	V30
Rated	120	200	300 W
Max.	180	300	400 W
Peak	240	360	480 W

## Features:

- Peak load, is 1.6 ~ 2 x rated load for 5 sec
- Convection cooling for Rated power
- Wide trimmable output voltage
- With Fan output, fan start-up at >30% loading
- PF > 0.93
- Design for BF application<sup>1)</sup>
- EMI class B
- 5,000m operation altitude

## Applications:

- ITE applications, especially for peak load requirement, such as motor drive, coffee machine, vending machine, gaming machine.
- Medical applications, especially for BF requirement.



## General Specifications:

Input voltage ..... 90 VAC to 264 VAC  
 Input frequency ..... 47 Hz to 63 Hz  
 Inrush current ..... < 30/60A at 115/230VAC  
 Hold up time ..... >16ms  
 Over load/Short circuit protection .... auto recovery  
 Over voltage protection ..... latch off  
 Operating temperature ..... -30°C to 70°C  
 derating: 2.5% / °C > 50°C  
 Storage temperature ..... -40°C to +85°C

EMI ..... EN55022 "B", EN61000-3-3  
 Harmonics..... EN61000-3-2, class A & D  
 EMS..... EN61000-4-2,-3,-4,-5,-6,-8,-11  
 Safety .....UL/CSA/EN60950-1, 2<sup>nd</sup> edition  
 ANSI/AAMI/CSA/EN60601-1, 3.1 edition  
 CB report, CE mark, RM report/file

## Output Specifications:

Rated Power	Model No.	Output Voltage	Load (A) <sup>2)</sup>			Average Efficiency	Size WxLxH
			Rated	Max.	Peak		
120W	SNP-V127	+12V	10.00	15.00	20.00	87%	2.39"x4"x1.26"
	SNP-V129	+24V	5.00	7.50	10.00	89%	
200W	SNP-V207	+12V	16.60	25.00	30.00	90%	3"x5"x1.38"
	SNP-V209	+24V	8.30	12.50	15.00	90%	
300W	SNP-V307	+12V	25.00	33.30	40.00	90%	4"x6"x1.38"
	SNP-V309	+24V	12.50	16.70	20.00	90%	

For other output voltage models, please refer to Selection Table pages.

### Note:

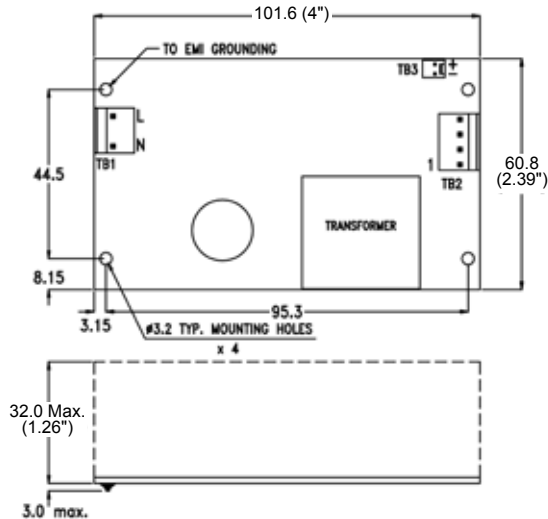
1. BF (body floating) application : Meet 2 x MOPP and Touch current < 100uA.
2. Convection cooling for Rated load ; Forced air cooling for Max. load ; Peak load can last for 5 sec.



# SNP-V Family

	V12	V20	V30
Rated	120	200	300 W
Max.	180	300	400 W
Peak	240	360	480 W

## SNP-V12x



**Notes:**

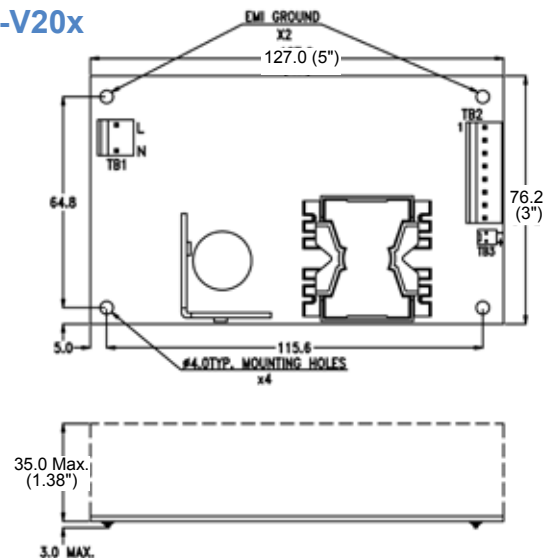
1. Size: 2.39" x 4" x 1.26"
2. Mounting Hole: 44.5 x 95.3 (mm)
3. Connectors:  
AC input: JST B2P3-VH or equivalent  
DC output: JST B4P-VH or Terminal blocks or equivalent  
Fan: Molex 5045-02A or equivalent

**4. Output Pinsignment:**

1	2	3	4
Vo	Vo	GND	GND

5. Packing  
Net weight: 190 g approx. / unit  
Gross weight: 14.5 kg approx. / carton, 60 units / carton  
Carton size (mm): 489 (L) x 357 (W) x 285 (H)

## SNP-V20x



**Notes:**

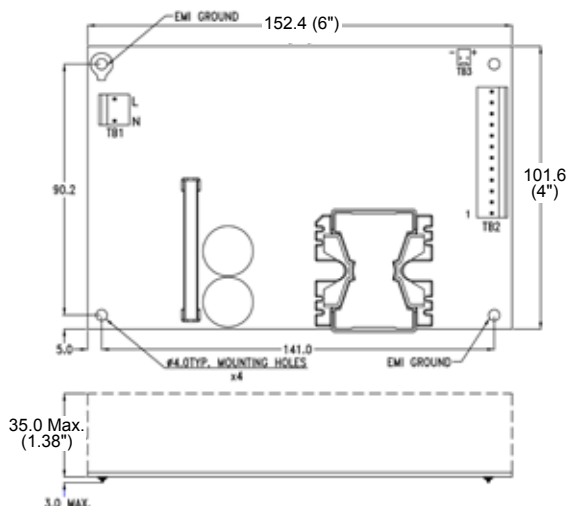
1. Size: 3" x 5" x 1.38"
2. Mounting Hole: 64.8 x 115.6 (mm)
3. Connectors:  
AC input: JST B2P3-VH or equivalent  
DC output: JST B8P-VH or Terminal blocks or equivalent  
Fan: Molex 5045-02A or equivalent

**4. Output Pin assignment:**

1	2	3	4	5	6	7	8
Vo	Vo	Vo	Vo	GND	GND	GND	GND

5. Packing:  
Net weight: 345 g approx. / unit  
Gross weight: 14.5 kg approx. / carton, 36 units / carton  
Carton size (mm): 384 (L) x 339 (W) x 327 (H)

## SNP-V30x



**Notes:**

1. Size: 4" x 6" x 1.38"
2. Mounting Hole: 90.2 x 141 (mm)
3. Connectors:  
AC input: JST B2P3-VH or equivalent  
DC output: JST B12P-VH or Terminal blocks or equivalent  
Fan: Molex 5045-02A or equivalent

**4. Output Pin assignment:**

1	2	3	4	5	6	7	8	9	10	11	12
GND	GND	GND	GND	GND	GND	Vo	Vo	Vo	Vo	Vo	Vo

5. Packing:  
Net weight: 515 g approx. / unit  
Gross weight: 14.5 kg approx. / carton, 24 units / carton  
Carton size (mm): 403 (L) x 324 (W) x 277 (H)

# SNP-P Family

	P20	P30	P40
Rated	200	300	400 W
Max.	300	420	560 W
Peak	400	600	800 W



## SURGE LOAD

### General Specifications:

Input voltage ..... 90 VAC to 264 VAC  
 Input frequency ..... 47 Hz to 63 Hz  
 Standby power ..... < 0.2W at no load  
 (remote off status) < 0.5W at 5Vsb/40mA output  
 Inrush current ..... < 30/60A at 115/230VAC  
 Hold up time ..... 18~20ms  
 Over load/Short circuit protection .... auto recovery  
 Over voltage protection ..... latch off  
 Operating temperature ..... -30°C to 70°C  
 derating: 2.5% / °C > 50°C  
 Storage temperature ..... -40°C to +85°C

### Features:

- Surge load, is 3 x rated load, Vo>60% typical for 1 sec
- Peak load, is 2 x rated load for 5 sec
- Convection cooling for Rated power
- With +5Vsb & +12V Fan output
- Fan speed controlled by loading
- Remote on/off & remote sense
- Design for BF application<sup>1)</sup>
- EMI class B
- 5,000m operation altitude

### Applications:

- Audio and ITE applications, especially for surge load and peak load requirement, such as active speaker and audio power amplifier, motor drive, coffee machine, vending machine, gaming machine.
- Medical applications, especially for BF requirement.

EMI ..... EN55022 "B", EN61000-3-3  
 Harmonics..... EN61000-3-2, class A & D  
 EMS..... EN61000-4-2,-3,-4,-5,-6,-8,-11  
 Safety ..... UL/CSA/EN60950-1, 2<sup>nd</sup> edition  
 ANSI/AAMI/CSA/EN60601-1, 3.1 edition  
 CB report, CE mark, RM report/file  
 Energy Saving ..... ENERGY STAR  
 for computers version 6.0  
 for displays version 6.0  
 ErP regulation EC(No) 1275/2008

### Output Specifications:

Rated Power	Model No. <sup>2)</sup>	Output Voltage	Load (A) <sup>1)</sup>			Size WxLxH
			Rated	Max.	Peak	
200W	SNP-P207-S, SNP-P207	+12V	16.66	25.00	33.30	3"x6"x1.46"
	SNP-P209-S, SNP-P209	+24V	8.33	12.25	16.66	
300W	SNP-P307-S, SNP-P307	+12V	25.00	35.00	50.00	3.7"x6.6"x1.46"
	SNP-P309-S, SNP-P309	+24V	12.50	17.50	25.00	
	SNP-P30T-S, SNP-P30T	+48V	6.25	8.75	12.50	
	SNP-P30H-S, SNP-P30H	+60V	5.00	7.00	10.00	
400W	SNP-P407-S, SNP-P407	+12V	33.30	46.67	66.60	4"x7"x1.5"
	SNP-P409-S, SNP-P409	+24V	16.70	23.33	33.30	

For other output voltage models, please refer to Selection Table pages.

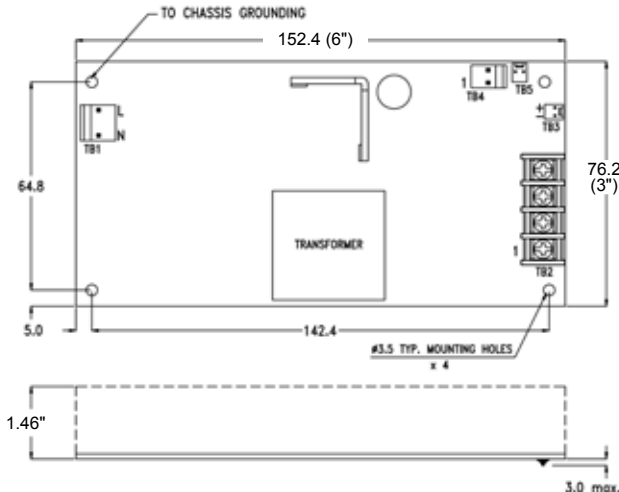
#### Note:

1. BF (body floating) application ; Meet 2 x MOPP and Touch current < 100uA.
2. SNP-Pxxx-S is with +5V standby ; For no load consumption, +5V output < 0.15W.  
SNP-Pxxx is without +5V standby ; For no load consumption, main output < 5W.
3. Convection cooling for Rated load ; Forced air cooling for Max. load ; Peak load can last for 5 sec.



	P20	P30	P40
Rated	200	300	400 W
Max.	300	420	560 W
Peak	400	600	800 W

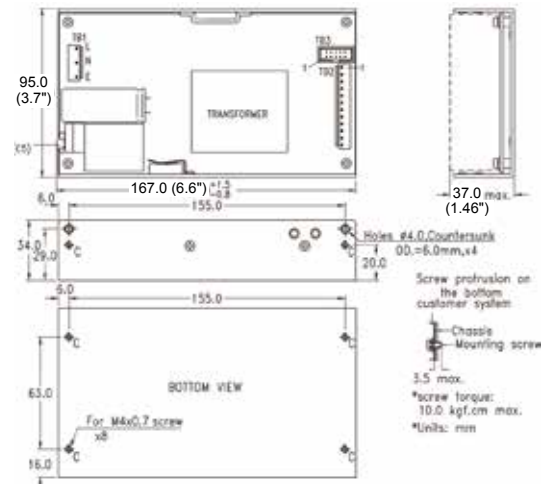
## SNP-P20x-S



### Notes:

- Size: 3" x 6" x 1.46"
  - Mounting Hole: TBD
  - Connectors:  
AC input: Molex 5277-02A or equivalent  
DC output: Terminal Blocks (default for SNP-P207 or Molex 5273-08 (default for 5. others) or equivalent
  - Remote ON/OFF & Standby Output & Fan Output & Remote Sense : Molex 5272-03 or equivalent
- Output & Function Pin assignment:**
- | Pin no.      | 1   | 2   | 3   | 4   | 5   | 6   | 7   | 8   | TB1     | TB4     | TB3    | TB2    | TB1    |
|--------------|-----|-----|-----|-----|-----|-----|-----|-----|---------|---------|--------|--------|--------|
| SNP-P20-S    | +Vo | +Vo | GND | GND |     |     |     |     | FAN     | Standby | Remote | Remote | Remote |
| OTHER MODELS | +Vo | +Vo | +Vo | +Vo | GND | GND | GND | GND | Standby | Remote  | Remote | Remote | Remote |
- Packing:**  
Net weight: TBD g approx. / unit  
Gross weight: TBD kg approx. / carton, TBD units / carton  
Carton size (mm): TBD (L) x TBD (W) x TBD (H)

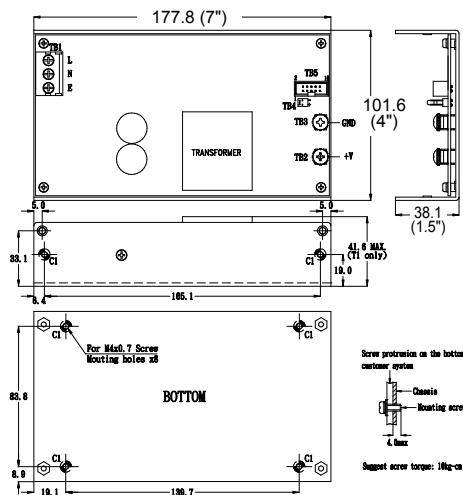
## SNP-P30x-S



### Notes:

- Size: 3.7" x 6.6" x 1.46"
  - Mounting Hole:  
Side edge: 155 x 29 (mm)  
Bottom: 155 x 63 (mm)
  - Connectors:  
AC input: JST B5P-VH with draw 2 pins or equivalent  
DC output: JST B12P-VH or equivalent  
Remote ON/OFF & Standby Output & Fan output & Remote Sense: 2 x 5 (10 pins) 0.1 pitch
  - Output (TB2) & Function (TB3) Pin assignment:
- | 1~6 | 7~12 | Pin 1 | +V <sub>SB</sub> | Pin 2 | +V <sub>SB</sub> GND |
|-----|------|-------|------------------|-------|----------------------|
| Vo  | GND  | 3     | +FAN             | 4     | +FAN                 |
|     |      | 5     | PG/FF            | 6     | PG/FF GND            |
|     |      | 7     | RM GND           | 8     | RM ON/OFF            |
|     |      | 9     | +RS              | 10    | +RS                  |
- Packing:**  
Net weight: 660 g approx. / unit  
Gross weight: 15.5 kg approx. / carton, 20 units / carton  
Carton size (mm): 453 (L) x 362 (W) x 279 (H)

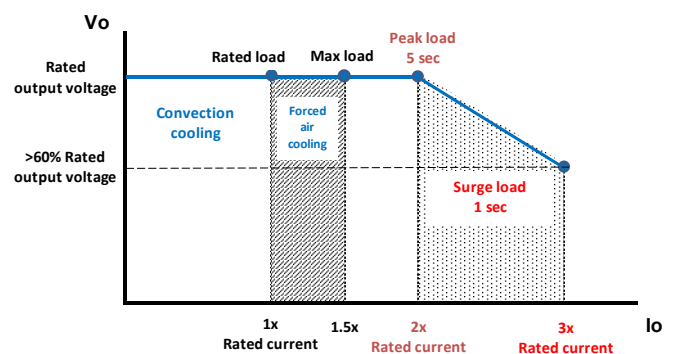
## SNP-P40x-S



### Notes:

- Size: 4" x 7" x 1.5"
  - Mounting Hole:  
Side edge: 203.2 x 19.1 (mm)  
Bottom: 109.5 x 104.3 (mm)
  - Connectors:  
AC input: Terminal Blocks 5. (with opt. PC cover)  
DC output: Terminal Blocks (with opt. PC cover)  
Remote ON/OFF & Standby Output & Fan Output & Remote Sense: Molex 5272-03 or equivalent
  - Output & Function Pin assignment:
- | Pin no.      | 1   | 2   | 3   | 4   | 5   | 6   | 7   | 8   | TB1     | TB4     | TB3    | TB2    | TB1    |
|--------------|-----|-----|-----|-----|-----|-----|-----|-----|---------|---------|--------|--------|--------|
| SNP-P40-S    | +Vo | +Vo | GND | GND |     |     |     |     | FAN     | Standby | Remote | Remote | Remote |
| OTHER MODELS | +Vo | +Vo | +Vo | +Vo | GND | GND | GND | GND | Standby | Remote  | Remote | Remote | Remote |
- Packing:**  
Net weight: TBD g approx. / unit  
Gross weight: TBD kg approx. / carton, 80 units / carton  
Carton size (mm): TBD (L) x TBD (W) x TBD (H)

## Surge Capability:



F50	
Rated	500 W
Max.	750 W
Peak	1000 W



### Features:

- Peak load (2.0 x rated current, Vo=rated for 5 sec)
- Convection cooling for Rated power
- Built-in active PFC
- With +12V Fan output
- With remote sense function
- Design for BF application
- EMI class B
- -20°C to +70°C operating temperature
- 5,000m operation altitude

### Applications:

- For peak load applications, such as motor drive, coffee machine, vending machine, gaming machine, and other industrials.
- For EMI class B application, such as medical devices.

### General Specifications:

Input voltage ..... 90 VAC to 264 VAC  
 Input frequency ..... 47 Hz to 63 Hz  
 Inrush current ..... < 30/60A at 115/230VAC  
 Hold up time ..... 12ms typical  
 Over load/Short circuit protection ..... latch off  
 Over voltage protection ..... latch off  
 Operating temperature ..... -20°C to 70°C  
 derating: 2.5% / °C > 50°C  
 Storage temperature ..... -40°C to +85°C

EMI ..... EN55011/EN55022 "B", FCC "B"  
 Harmonics..... EN61000-3-2, class A & D  
 EMS..... EN61000-4-2,-3,-4,-5,-6,-8,-11  
 Safety ..... UL/CSA/EN60950-1, 2<sup>nd</sup> edition  
 ANSI/AMMI/CSA/EN60601-1, 3.1 edition  
 CB report, CE mark, RM report/file

### Output Specifications:

Rated Power	Model No.	Output Voltage	Load (A) <sup>1)</sup>			Average Efficiency	Size WxLxH
			Rated	Max.	Peak		
500W	SNP-F507	+12V	41.60	62.60	83.20	91%	4.5"x7.5"x1.65"
	SNP-F509	+24V	20.80	31.30	41.60	92%	
	SNP-F50T	+48V	10.40	15.60	20.80	92%	

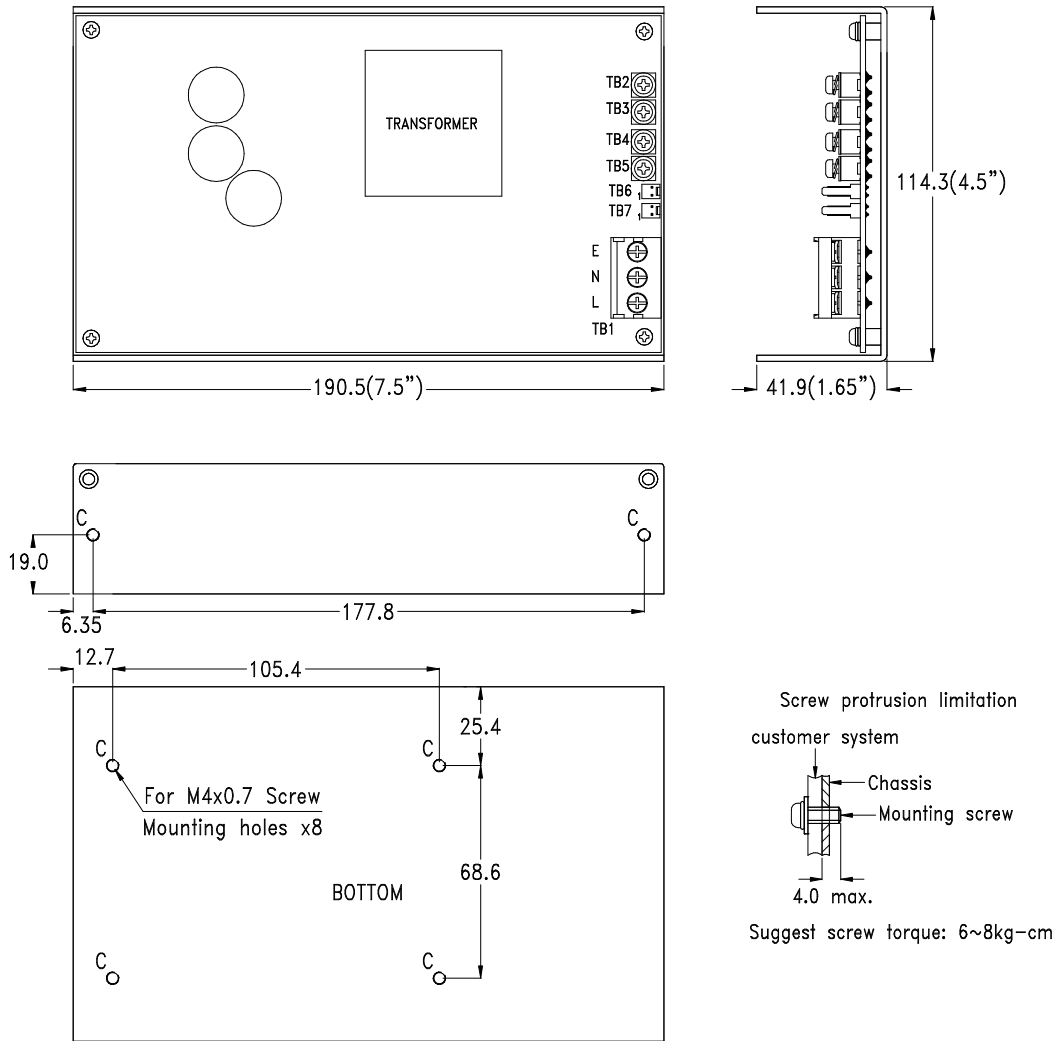
### Notes:

1. Convection cooling for Rated load ; 10CFM forced air cooling for Max. load ; Peak load can last for 5 sec.
2. Average efficiency is measured at 115VAC nominal line and rated load.
3. BF (body floating) application ; Meet 2 x MOPP and Touch current < 100uA.



Rated	500 W
Max.	750 W
Peak	1000 W

## Mechanical Specifications:



### Notes:

1. Size: 4.5" x 7.5" x 1.65"
2. Connectors and pin assignment:

AC Input / TB1 (Terminal Block)	
Pin	Function
E	Earth
N	Neutral
L	Line

DC Input / TB2~5 (Terminal Block)	
Pin	Function
TB2	GND
TB3	GND
TB4	+V
TB5	+V

Fan Output / TB6 (Molex 5045-02A)	
Pin	Function
1	GND
2	FAN

Remote Sense / TB7 (Molex 5045-02A)	
Pin	Function
1	-RS
2	+RS

## SNP-AF Family

	AF4	AF6	AF8
Rated	40	60	72 W
Peak	60	90	100 W



**DOE LEVEL VI**

### General Specifications:

Input voltage ..... 90 VAC to 264 VAC  
 Input frequency ..... 47 Hz to 63 Hz  
 Inrush current ..... < 80A at 230VAC  
 Hold up time ..... 16~18 ms typical  
 Over load/Short circuit protection .... auto recovery  
 Over voltage protection ..... latch off  
 Operating temperature ..... -20°C to 60°C  
 derating: 2.5% / °C > 40°C  
 Storage temperature ..... -40°C to +80°C  
 ..

### Output Specifications:

Rated Power	Model No. <sup>2)</sup>	Output Voltage	Load (A)		no-load Input Power	Average <sup>3)</sup> Efficiency	Size (mm) WxLxH
			Rated	Peak			
40W	SNP-AF47	+12V	3.7	4.80	< 75mW	> 88.83%	58x120x42
	SNP-AF49	+24V	1.9	2.50	< 75mW	> 88.83%	
60W	SNP-AF67	+12V	5.0	7.50	< 150mW	> 89.00%	65x135x40
	SNP-AF69	+24V	2.5	3.75	< 150mW	> 89.00%	
72W	SNP-AF87-H	+12V	6.0	8.40	< 150mW	> 89.00%	72x145x42
	SNP-AF89-H	+24V	3.2	4.60	< 150mW	> 89.00%	
72W	SNP-AF87-3	+12V	6.0	8.40	< 150mW	> 89.00%	72x145x42
	SNP-AF89-3	+24V	3.2	4.60	< 150mW	> 89.00%	

For other output voltage models, please refer to Selection Table pages.

#### Notes:

1. BF (body floating) application ; Meet 2 x MOPP and Touch current < 100uA.
2. SNP-AF4x, SNP-AF6x, and SNP-AF8x-H are for safety class II, SNP-AF8x-3 is for safety class I.
3. While measuring at nominal line. (100%, 75%, 50%, and 25% of rated load)

### Features:

- Peak load, is 1.3 ~ 1.5 x rated load for 5 sec
- DoE Level VI Eco-design
- Safety class I / II and EMI class B
- Design for BF application <sup>1)</sup>
- With ITE and Medical safety
- -20°C to +60°C operating temperature
- 5,000m operation altitude

### Applications:

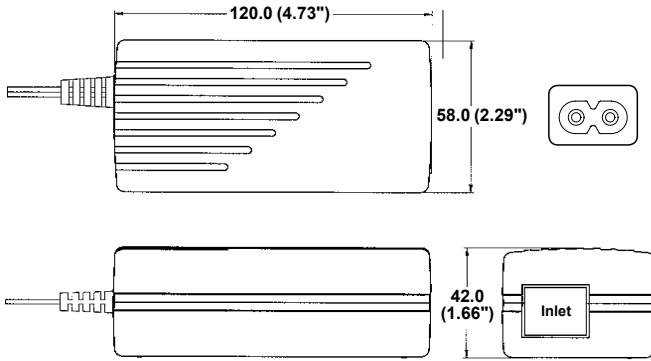
- DoE level VI energy saving requirement, such as electronics and office equipment.
- ITE applications, especially for peak load requirement, such as motor drive, coffee machine, vending machine, gaming machine.
- Medical applications, such as home healthcare device, ventilator and other medical devices.

EMI ..... EN55011/55022 "B", EN61000-3-3  
 Harmonics..... EN61000-3-2, class A  
 EMS..... EN61000-4-2,-3,-4,-5,-6,-8,-11  
 Safety ..... UL/CSA/EN60590-1, 2<sup>nd</sup> edition  
 ANSI/AAMI/CSA/EN60601-1, 3.1 edition  
 CB report, CE mark, RM report/file  
 Energy Saving ..... DoE EPS Efficiency Level VI  
 EC CoC for EPS Version 5 (Tier 2)



	AF4	AF6	AF8
Rated	40	60	72 W
Peak	60	90	100 W

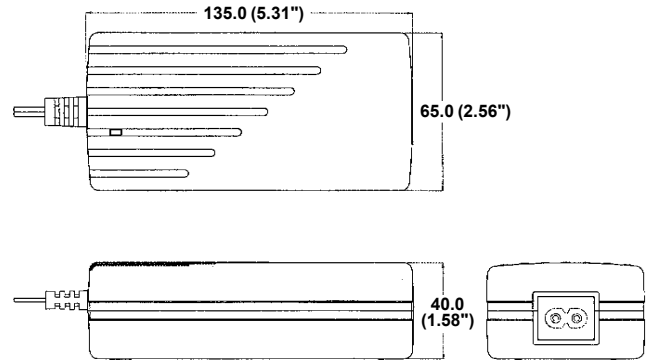
## SNP-AF4x



**Notes:**

1. Size: 58 x 120 x 42 (mm)
2. Connectors:  
AC input: IEC 320 C8  
DC output: Power Jack
3. Box Color: Black
4. Packing:  
Net weight: 300 g approx. / unit  
Gross weight: 16.5 kg approx. / carton, 48 units / carton  
Carton size (mm): 549 (L) x 490 (W) x 241 (H)

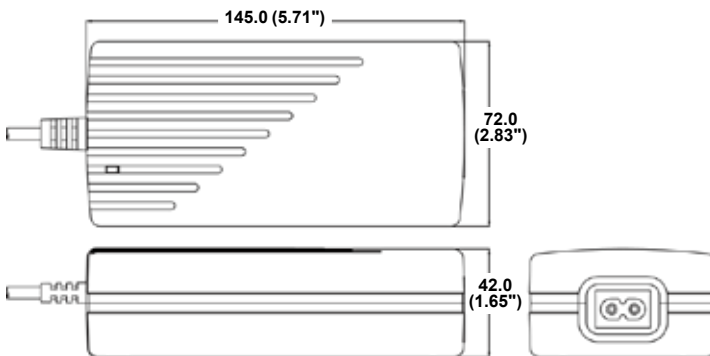
## SNP-AF6x



**Notes:**

1. Size: 65 x 135 x 40 (mm)
2. Output connector:  
 42.5 female socket
3. Input Socket:  
 C8 (Class II)
4. Cable length is 1.5m approx.
5. Power ON indication LED is on top of Box.
6. Box Color is Black.
7. This product is RoHS compliant.
8. Packing:  
Net weight: N.A. g approx. / unit  
Gross weight: N.A. kg approx. / carton, 40 units / carton  
Carton size (mm): 501 (L) x 426 (W) x 307 (H)

## SNP-AF8x-H

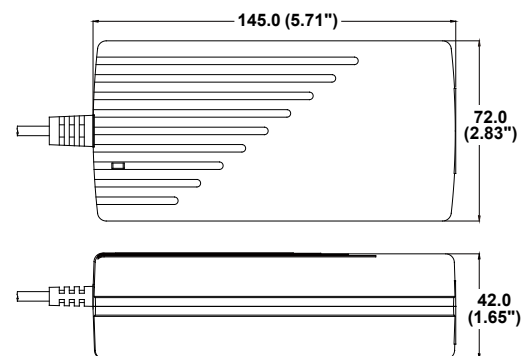


**Notes:**

1. Size: 72 x 145 x 42 (mm)
2. Connectors:  
AC input: Meet IEC 320 C8 (C18 option) standard  
DC output: Power Jack  
DC power pin specification:  

PIN	VOLTAGE
1	+V
3	RTN
4	RTN
2	+V
3. Cable length is 1.5m approx.
4. Power On indication LED is on top of Box.
5. Box Color is Black.
6. This product is RoHS compliant
7. Packing:  
Net weight: 512 g approx. / unit  
Gross weight: 13 kg approx. / carton, 20 units / carton  
Carton size (mm): 503 (L) x 362 (W) x 300 (H)

## SNP-AF8x-3



**Notes:**

1. Size: 72 x 145 x 42 (mm)
2. Output Connectors:  
 C14
3. Input Socket:  
 C14
4. Cable length is 1.5m approx.
5. Power On indication LED is on top of Box.
6. Box Color is Black.
7. This product is RoHS compliant
8. Packing:  
Net weight: 470 g approx. / unit  
Gross weight: 12 kg approx. / carton, 20 units / carton  
Carton size (mm): 503 (L) x 362 (W) x 300 (H)

	A02	A03	A04	A06	A07	A08
<b>Rated</b>	15	30	45	60	75	80 W
<b>Peak</b>	24	48	70	72		120 W



## Features:

- Peak load, is 1.2~1.6 x rated load for 10~15 sec
- Safety class I/II and EMI class B
- With ITE and Medical Safety

## Applications:

- ITE applications, especially for peak load requirement, such as motor drive, coffee machine, vending machine, gaming machine, monitors.
- Medical applications, such as home healthcare device, ventilator and other medical devices.

## General Specifications:

Input voltage ..... 90 VAC to 264 VAC  
 Input frequency ..... 47 Hz to 63 Hz  
 Hold up time ..... 16~20 ms typical  
 Over load/Short circuit protection .... auto recovery  
 Over voltage protection ..... latch off  
 Operating temp.... -20°C to 40°C for A02x, A03x, A04x  
 0°C to 40°C for A06x, A07x, A08x  
 Derating 2.5%/°C, >40°C  
 Storage temperature ..... -20°C to +85°C

EMI ..... FCC class "B", CISPR22 level "B"  
 Harmonics..... EN61000-3-2, class A  
 EMS..... EN61000-4-2,-3,-4,-5,-6,-8,-11  
 Safety ..... UL/CSA/EN60950-1, 2<sup>nd</sup> edition  
 ANSI/AAMI/CSA/EN60601-1  
 CB report, CE mark, RM report/file

## Output Specifications:

Rated Power	Model No.	Output Voltage	Load (A)		Size (WxLxH) mm
			Rated	Peak	
20W	SNP-A027, A027-3	+12V	1.30	2.00	52x96x33.5
	SNP-A028, A028-3	+15V	1.00	1.60	
	SNP-A029, A029-3	+24V	0.70	1.00	
	SNP-A02T, A02T-3	+48V	0.35	0.50	
30W	SNP-A037, A037-3, A037-M, A037-M3	+12V	2.50	4.00	54x110x33.5
	SNP-A038, A038-3, A038-M, A038-M3	+15V	2.00	3.00	
	SNP-A039, A039-3, A039-M, A039-M3	+24V	1.30	1.80	
	SNP-A03T, A03T-3	+48V	0.75	1.00	
40W	SNP-A047, A047-3, A047-M, A047-M3	+12V	3.70	5.60	58x120x42
	SNP-A048, A048-3, A048-M, A048-M3	+15V	3.00	4.50	
	SNP-A049, A049-3, A049-M, A049-M3	+24V	1.90	2.90	
	SNP-A04T, A04T-3	+48V	1.00	1.50	
60W	SNP-A067	+12V	4.20	5.00	65x135x40
	SNP-A068	+15V	3.60	4.60	
	SNP-A069	+24V	2.50	3.00	
	SNP-A06T	+48V	1.25	1.50	
70W	SNP-A077	+12V	6.00	N.A.	72x145x42
	SNP-A078	+15V	5.00	N.A.	
	SNP-A079	+24V	3.20	N.A.	
	SNP-A07T	+48V	1.50	N.A.	
80W	SNP-A087-3	+12V	6.00	9.00	72x145x42
	SNP-A088-3	+15V	5.00	7.50	
	SNP-A089-3	+24V	3.30	5.00	
	SNP-A08T-3	+48V	1.75	2.50	

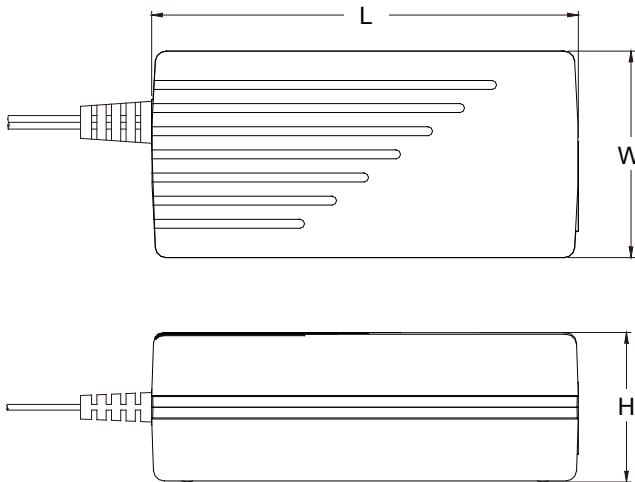
For other output voltage models, please refer to Selection Table pages.



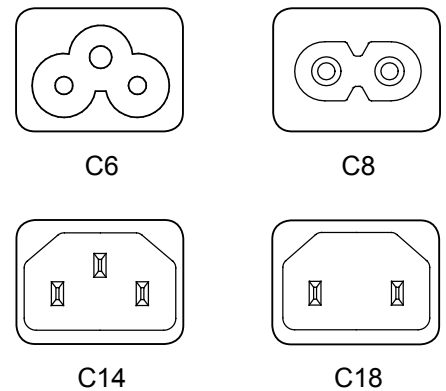
	A02	A03	A04	A06	A07	A08
Rated	15	30	45	60	75	80 W
Peak	24	48	70	72		120 W

## Mechanical Specifications:

Model No.	AC input	DC output	Size (WxLxH) mm	Cable length cm	N.W. (g/unit)	G.W. (kg/carton)	Packing Q'ty (unit/carton)	Carton size (LxWxH) mm
A02x, A02x-M	C8	Figure 1.	52x96x33.5	153 ~ 183	~170	~17.5	90	535x489x315
A02x-3, A02x-M3	C6	Figure 2.						
A03x, A03x-M	C8	Figure 1.	54x110x33.5	153 ~ 183	~220	~15.5	60	512x354x343
A03x-3, A03x-M3	C6	Figure 2.						
A04x, A04x-M	C8	Figure 1.	58x120x42	153 ~ 183	~300	~16.5	48	549x490x241
A04x-3, A04x-M3	C6	Figure 2.						
A06x	C8	Figure 3.	65x135x40	200	~460	~15.5	24	516x398x283
A077, A078	C14	Figure 4.	95x180x63	180	~950	~14.0	12	490x250x357
A079, A07T	C14	Figure 1.						
A087, A088, A085	C18	Figure 5.	72x145x42	180	~470	~12.0	20	503x362x300
A089, A08T	C18	Figure 3.						
A08x-3	C14	Figure 6.						



### AC input:



### DC output:

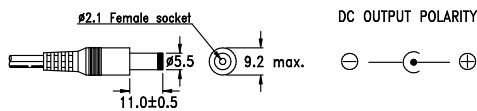


Figure 1.

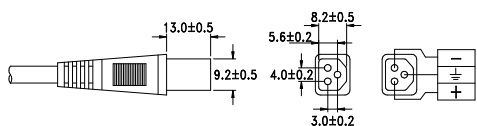


Figure 2.

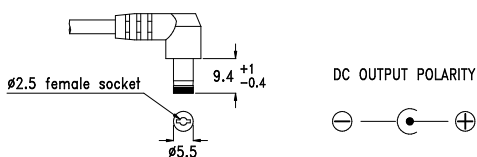


Figure 3.

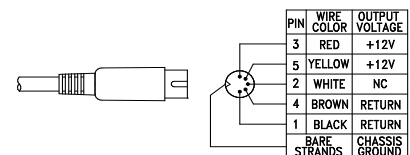


Figure 4.

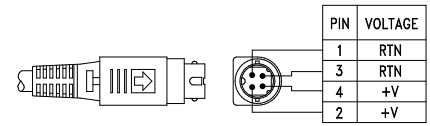


Figure 5.

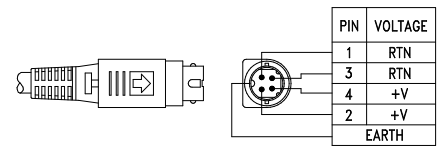


Figure 6.

# SNP-A Family (90~200W, with PFC)

	A10	A12	A15	A20
Rated	90	120	140	180 W
Peak	120	170	175	330 W

## Features:

- Peak load, is 1.2~2.2 x rated load for 10~15 sec
- Built-in active PFC
- EMI class B
- With ITE and Medical Safety

## Applications:

- ITE applications, especially for peak load requirement, such as motor drive, coffee machine, vending machine, gaming machine, monitors.
- Medical applications, such as ventilator, monitor and other medical devices.



## General Specifications:

Input voltage ..... 90 VAC to 264 VAC  
 Input frequency ..... 47 Hz to 63 Hz  
 Hold up time ..... 16~20 ms typical  
 Over load/Short circuit protection .... auto recovery  
 Over voltage protection ..... latch off  
 Operating temperature ..... -20°C to 40°C  
 Derating 2.5%/°C, > 40°C  
 Storage temperature ..... -20°C to +85°C

EMI ..... FCC class "B", CISPR22 level "B"  
 Harmonics..... EN61000-3-2, class A & D  
 EMS..... EN61000-4-2,-3,-4,-5,-6,-8,-11  
 Safety ..... UL/CSA/EN60950-1, 2<sup>nd</sup> edition  
 ANSI/AAMI/CSA/EN60601-1  
 CB report, CE mark, RM report/file

## Output Specifications:

Rated Power	Model No.	Output Voltage	Load (A)		Size (WxLxH) mm
			Rated	Peak	
90W	SNP-A107	+12V	7.50	9.00	78x167x47
	SNP-A108	+15V	6.00	7.20	
	SNP-A105	+18V	5.00	6.00	
	SNP-A109	+24V	3.80	5.00	
	SNP-A10T	+48V	2.00	2.40	
120W	SNP-A127, A127-M	+12V	9.00	15.00	95x180x50
	SNP-A128, A128-M	+15V	7.50	10.00	
	SNP-A125, A125-M	+18V	6.50	9.00	
	SNP-A129, A129-M	+24V	5.00	7.00	
	SNP-A12T, A12T-M	+48V	2.50	4.00	
150W	SNP-A157, A157-M	+12V	11.25	14.0	99x180x52
	SNP-A158, A158-M	+15V	9.30	12.10	
	SNP-A155, A155-M	+18V	7.80	10.10	
	SNP-A159, A159-M	+24V	6.00	7.20	
	SNP-A15T, A15T-M	+48V	3.00	N.A.	
200W	SNP-A207, A207-M	+12V	15.00	33.40	103x210x52
	SNP-A208, A208-M	+15V	12.00	21.60	
	SNP-A205, A205-M	+18V	10.00	18.30	
	SNP-A209, A209-M	+24V	8.40	14.00	
	SNP-A20T, A20T-M	+48V	4.20	6.90	

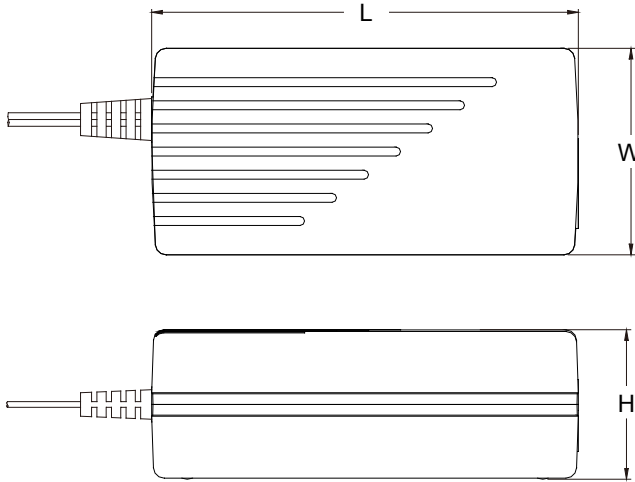
For other output voltage models, please refer to Selection Table pages.



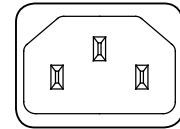
	A10	A12	A15	A20
Rated	90	120	140	180 W
Peak	120	170	175	330 W

## Mechanical Specifications:

Model No.	AC input	DC output	Size (WxLxH) mm	Cable length cm	N.W. (g/unit)	G.W. (kg/carton)	Packing Q'ty (unit/carton)	Carton size (LxWxH) mm
A10x	C14	Figure 1.	78x167x47	90 ~ 150	~646	~13.0	16	533x326x327
A12x, A12x-M	C14	Figure 2.	95x180x50	183	~920	~16.0	14	531x316x337
A15x, A15x-M	C14	Figure 2.	99x180x52	90 ~ 150	~950	~16.0	14	531x326x371
A20x, A20x-M	C14	Figure 2.	103x210x52	90 ~ 150	~1100	~14.0	10	412x336x387



### AC input:



C14

### DC output:

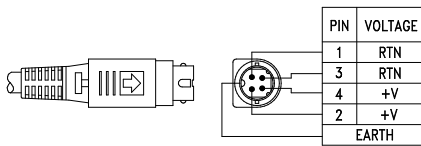


Figure 1.

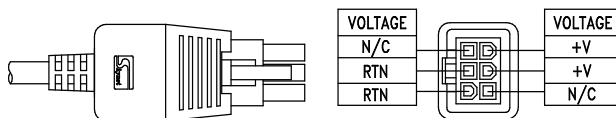


Figure 2.

# SNP-E Family

	E12	E20
Rated	120	200 W
Peak	180	300 W



## DOE LEVEL VI

### General Specifications:

Input voltage ..... 85 VAC to 264 VAC  
 Input frequency ..... 47 Hz to 63 Hz  
 Inrush current ..... < 40at 115VAC  
 (cold start at 25°C) or < 80A at 230VAC  
 Hold up time ..... > 16 ms  
 Over load/Short circuit protection .... auto recovery  
 Over voltage protection ..... latch off  
 Operating temperature ..... -20°C to 40°C  
 Derating 2.5%/°C, > 40°C  
 Storage temperature ..... -20°C to +85°C

### Features:

- Peak load, is 1.5 x rated load for 5 sec
- Built-in active PFC
- DoE Level VI Eco-design
- Design for BF application <sup>1)</sup>
- Safety class I/II and EMI class B
- With ITE and Medical Safety
- -20°C to +60°C operating temperature
- 5,000m operation altitude

### Applications:

- DoE level VI energy saving requirement, such as electronics and office equipment.
- ITE applications, especially for peak load requirement, such as motor drive, coffee machine, vending machine, gaming machine.
- Medical applications, such as home healthcare devices, ventilator, monitor and other medical devices.

DC OK indicator ..... green LED  
 EMI ..... FCC class "B"  
 CISPR22 level "B"  
 Harmonics ..... EN61000-3-2 class A & D  
 EMS ..... EN61000-4-2, -3, -4, -5,-6,-8-11  
 Safety ..... UL60601-1, UL60950-1  
 CSA C22.2 No. 60950-1(cUL)  
 TUV EN60601-1 EN60950-1  
 Energy Saving ..... DoE EPS Efficiency Level VI  
 EC CoC for EPS Version 5 (Tier 2)

### Output Specifications:

Rated Power	Model No. <sup>2)</sup>	Output Voltage	Load (A)		no-load Input Power	Average <sup>3)</sup> Efficiency	Size (mm) WxLxH
			Rated	Peak			
120W	SNP-E127, SNP-E127-H	+12V	10.00	15.00	< 150mW	> 89.0%	78x167x47
	SNP-E129, SNP-E129-H	+24V	5.0	7.50	< 150mW	> 89.0%	
200W	SNP-E207, SNP-E207-H	+12V	16.60	25.00	< 150mW	> 89.0%	99x180x52
	SNP-E209, SNP-E209-H	+24V	8.30	12.50	< 150mW	> 89.0%	

For other output voltage models, please refer to Selection Table pages.

#### Note:

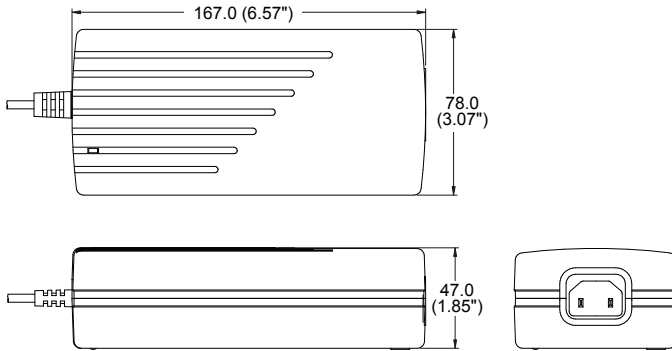
1. BF (body floating) application : Meet 2 x MOPP and Touch current < 100uA.
2. Suffix with -H is input class II.
3. While measuring at nominal line. (100%, 75%, 50%, and 25% of rated load)



# SNP-E Family

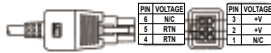
	E12	E20
Rated	120	200 W
Peak	180	300 W

## SNP-E12x

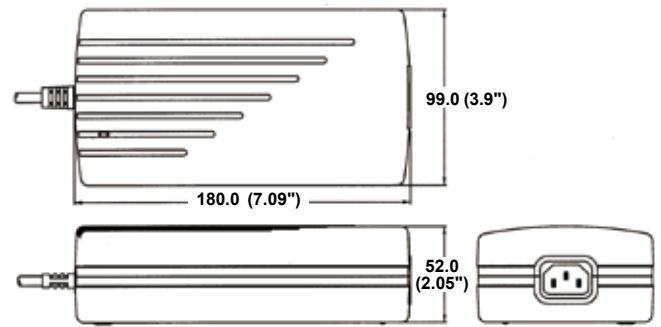


### Notes:

1. Size: 78 x 167 x 47 (mm)
2. Connectors:  
AC input:  
IEC 320 Inlet C18 (Class II)  
DC output:  
Molex 5557-06 or equivalent
3. Output cable length: 120 cm
4. DC OK LED: Green light on top of box
5. Box color: Black
6. Packing  
Net weight: 636 g approx. / unit  
Gross weight: 13 kg approx. / carton, 16 units / carton  
Carton size (mm):  
533 (L) x 326 (W) x 327 (H)



## SNP-E20x



### Notes:

1. Size: 99 x 180 x 52 (mm)
2. Connectors:  
AC input:  
IEC 320 Inlet C14 (Class I)  
DC output:  
Molex 5557-06 or equivalent
3. Output cable length: 120 cm
4. DC OK LED: Green light on top of box
5. Box color: Black
6. Packing  
Net weight: 636 g approx. / unit  
Gross weight: 13 kg approx. / carton, 16 units / carton  
Carton size (mm):  
533 (L) x 326 (W) x 327 (H)





## Standard Products List

P15  
Active Products won't be Phased out  
But Safety Status should be checked first  
Lead time is 45 days after receive your order

# Standard Products List

MODEL	OUTPUT RAIL	LOAD		INPUT	EMI	SIZE(WxLxH)
		RATED	PEAK			
<b>4.2W~16.8W Class II • POE Adapter • Green Power • ITE Safety</b>						
SNP-POE7	12V	0.35A		90 ~ 264VAC	CISPR 22 B	54 x 110 x 33 (mm)
SNP-POE9	24V	0.35A		90 ~ 264VAC	CISPR 22 B	54 x 110 x 33 (mm)
SNP-POET	48V	0.35A		90 ~ 264VAC	CISPR 22 B	54 x 110 x 33 (mm)
<b>20W Class II • Adapter • Green Power • ITE Safety</b>						
SNP-A026	5V	2A	3A	90 ~ 264VAC	CISPR22 B	52 x 96 x 32.5 (mm)
SNP-A02C	9V	1.8A	2.5A	90 ~ 264VAC	CISPR22 B	52 x 96 x 32.5 (mm)
SNP-A027	12V	1.3A	2A	90 ~ 264VAC	CISPR22 B	52 x 96 x 32.5 (mm)
SNP-A028	15V	1A	1.6A	90 ~ 264VAC	CISPR22 B	52 x 96 x 32.5 (mm)
SNP-A029	24V	0.7A	1A	90 ~ 264VAC	CISPR22 B	52 x 96 x 32.5 (mm)
SNP-A02T	48V	0.35A	0.5A	90 ~ 264VAC	CISPR22 B	52 x 96 x 32.5 (mm)
<b>20W Class I • Adapter • Green Power • ITE Safety</b>						
SNP-A026 -3	5V	2A	3A	90 ~ 264VAC	CISPR22 B	52 x 96 x 32.5 (mm)
SNP-A02C-3	9V	1.8A	2.5A	90 ~ 264VAC	CISPR22 B	52 x 96 x 32.5 (mm)
SNP-A027 -3	12V	1.3A	2A	90 ~ 264VAC	CISPR22 B	52 x 96 x 32.5 (mm)
SNP-A028 -3	15V	1A	1.6A	90 ~ 264VAC	CISPR22 B	52 x 96 x 32.5 (mm)
SNP-A029 -3	24V	0.7A	1A	90 ~ 264VAC	CISPR22 B	52 x 96 x 32.5 (mm)
SNP-A02T-3	48V	0.35A	0.5A	90 ~ 264VAC	CISPR22 B	52 x 96 x 32.5 (mm)
<b>20W Class II • Adapter • Green Power • Medical Safety</b>						
SNP-A026-M	5V	2.2A	3.8A	85 ~ 264VAC	CISPR22 B	52 x 96 x 32.5 (mm)
SNP-A027-M	12V	1.3A	2A	85 ~ 264VAC	CISPR22 B	52 x 96 x 32.5 (mm)
SNP-A028-M	15V	1A	1.6A	85 ~ 264VAC	CISPR22 B	52 x 96 x 32.5 (mm)
SNP-A029-M	24V	0.7A	1A	85 ~ 264VAC	CISPR22 B	52 x 96 x 32.5 (mm)
<b>20W Class I • Adapter • Green Power • Medical Safety</b>						
SNP-A026-M3	5V	2.2A	3.8A	85 ~ 264VAC	CISPR22 B	52 x 96 x 32.5 (mm)
SNP-A027-M3	12V	1.3A	2A	85 ~ 264VAC	CISPR22 B	52 x 96 x 32.5 (mm)
SNP-A028-M3	15V	1A	1.6A	85 ~ 264VAC	CISPR22 B	52 x 96 x 32.5 (mm)
SNP-A029-M3	24V	0.7A	1A	85 ~ 264VAC	CISPR22 B	52 x 96 x 32.5 (mm)
<b>30W Class II • Adapter • Green Power • ITE Safety</b>						
SNP-A03C	9V	3.3A	4.6A	90 ~ 264VAC	CISPR22 B	54 x 110 x 33.5 (mm)
SNP-A037	12V	2.5A	4A	90 ~ 264VAC	CISPR22 B	54 x 110 x 33.5 (mm)
SNP-A038	15V	2A	3A	90 ~ 264VAC	CISPR22 B	54 x 110 x 33.5 (mm)
SNP-A039	24V	1.3A	1.8A	90 ~ 264VAC	CISPR22 B	54 x 110 x 33.5 (mm)
SNP-A03T	48V	0.75A	1A	90 ~ 264VAC	CISPR22 B	54 x 110 x 33.5 (mm)
<b>30W Class I • Adapter • Green Power • ITE Safety</b>						
SNP-A03C-3	9V	3.3A	4.6A	90 ~ 264VAC	CISPR22 B	54 x 110 x 33.5 (mm)
SNP-A037 -3	12V	2.5A	4A	90 ~ 264VAC	CISPR22 B	54 x 110 x 33.5 (mm)
SNP-A038 -3	15V	2A	3A	90 ~ 264VAC	CISPR22 B	54 x 110 x 33.5 (mm)
SNP-A039 -3	24V	1.3A	1.8A	90 ~ 264VAC	CISPR22 B	54 x 110 x 33.5 (mm)
SNP-A03T-3	48V	0.75A	1A	90 ~ 264VAC	CISPR22 B	54 x 110 x 33.5 (mm)
<b>30W Class II • Adapter • Green Power • Medical Safety</b>						
SNP-A037 -M	12V	2.5A	4A	85 ~ 264VAC	CISPR22 B	54 x 110 x 33.5 (mm)
SNP-A038 -M	15V	2A	3A	85 ~ 264VAC	CISPR22 B	54 x 110 x 33.5 (mm)
SNP-A039 -M	24V	1.3A	1.8A	85 ~ 264VAC	CISPR22 B	54 x 110 x 33.5 (mm)
<b>30W Class I • Adapter • Green Power • Medical Safety</b>						
SNP-A037 -M3	12V	2.5A	4A	85 ~ 264VAC	CISPR22 B	54 x 110 x 33.5 (mm)
SNP-A038 -M3	15V	2A	3A	85 ~ 264VAC	CISPR22 B	54 x 110 x 33.5 (mm)
SNP-A039 -M3	24V	1.3A	1.8A	85 ~ 264VAC	CISPR22 B	54 x 110 x 33.5 (mm)

Get 4-page product datasheet through direct link on website



# Standard Products List

MODEL	OUTPUT (Voltage/Rated Load/Peak Load)		INPUT	EMI	SIZE (WxLxH)
	I	II			
<b>30W Metal Box • Cost Effective • ITE Safety</b>					
SNP-C03B	3.3V / 6A / 9A		85 ~ 264VAC	EN55022 B, EN55011 B	2" x 3.54" x 1.14"
SNP-C036	5V / 6A / 9A		85 ~ 264VAC	EN55022 B, EN55011 B	2" x 3.54" x 1.14"
SNP-C037	12V / 2.5A / 3.75A		85 ~ 264VAC	EN55022 B, EN55011 B	2" x 3.54" x 1.14"
SNP-C038	15V / 2A / 3A		85 ~ 264VAC	EN55022 B, EN55011 B	2" x 3.54" x 1.14"
SNP-C039	24V / 1.3A / 1.9A		85 ~ 264VAC	EN55022 B, EN55011 B	2" x 3.54" x 1.14"
SNP-C03T	48V / 0.63A / 0.95A		85 ~ 264VAC	EN55022 B, EN55011 B	2" x 3.54" x 1.14"
<b>30W Class I/II • Open Frame • 5,000m Altitude • for Home Healthcare • ITE &amp; 3.1 Ed. Medical Safety</b>					
SNP-HF37	12V / 2.5A / 3.75A		90 ~ 264VAC	EN55011 B, EN61000-3-3	1.57" x 2.76" x 0.93"
SNP-HF38	15V / 2A / 3A		90 ~ 264VAC	EN55011 B, EN61000-3-3	1.57" x 2.76" x 0.93"
SNP-HF39	24V / 1.25A / 1.88A		90 ~ 264VAC	EN55011 B, EN61000-3-3	1.57" x 2.76" x 0.93"
SNP-HF3T	48V / 0.63A / 0.94A		90 ~ 264VAC	EN55011 B, EN61000-3-3	1.57" x 2.76" x 0.93"
<b>30W Class I/II • Open Frame • 5,000m Altitude • without Burst Sound • for Home Healthcare • ITE &amp; 3.1 Ed. Medical Safety</b>					
SNP-HF37-A	12V / 2.5A / 3.75A		90 ~ 264VAC	EN55011 B, EN61000-3-3	1.57" x 2.76" x 0.93"
SNP-HF38-A	15V / 2A / 3A		90 ~ 264VAC	EN55011 B, EN61000-3-3	1.57" x 2.76" x 0.93"
SNP-HF39-A	24V / 1.25A / 1.88A		90 ~ 264VAC	EN55011 B, EN61000-3-3	1.57" x 2.76" x 0.93"
SNP-HF3T-A	48V / 0.63A / 0.94A		90 ~ 264VAC	EN55011 B, EN61000-3-3	1.57" x 2.76" x 0.93"
<b>40W Class II • Adapter • ITE Safety</b>					
SNP-A046	5V / 6A / 9A		90 ~ 264VAC	CISPR22 B	58 x 120 x 42 (mm)
SNP-A04C	9V / 4.5A / 6.7A		90 ~ 264VAC	CISPR22 B	58 x 120 x 42 (mm)
SNP-A047	12V / 3.7A / 5.6A		90 ~ 264VAC	CISPR22 B	58 x 120 x 42 (mm)
SNP-A048	15V / 3A / 4.5A		90 ~ 264VAC	CISPR22 B	58 x 120 x 42 (mm)
SNP-A049	24V / 1.9A / 2.9A		90 ~ 264VAC	CISPR22 B	58 x 120 x 42 (mm)
SNP-A04T	48V / 1A / 1.5A		90 ~ 264VAC	CISPR22 B	58 x 120 x 42 (mm)
<b>40W Class I • Adapter • ITE Safety</b>					
SNP-A046-3	5V / 6A / 9A		90 ~ 264VAC	CISPR22 B	58 x 120 x 42 (mm)
SNP-A04C-3	9V / 4.5A / 6.7A		90 ~ 264VAC	CISPR22 B	58 x 120 x 42 (mm)
SNP-A047-3	12V / 3.7A / 5.6A		90 ~ 264VAC	CISPR22 B	58 x 120 x 42 (mm)
SNP-A048-3	15V / 3A / 4.5A		90 ~ 264VAC	CISPR22 B	58 x 120 x 42 (mm)
SNP-A049-3	24V / 1.9A / 2.9A		90 ~ 264VAC	CISPR22 B	58 x 120 x 42 (mm)
SNP-A04T-3	48V / 1A / 1.5A		90 ~ 264VAC	CISPR22 B	58 x 120 x 42 (mm)
<b>40W Adapter • Level VI Eco-design • Green Power • ITE &amp; 3.1 Ed. Medical Safety</b>					
SNP-AF47	12V / 3.7A / 4.8A		90 ~ 264VAC	CISPR22 B	58 x 120 x 42 (mm)
SNP-AF49	24V / 1.9A / 2.5A		90 ~ 264VAC	CISPR22 B	58 x 120 x 42 (mm)
<b>40W Metal Box • ITE Safety</b>					
SNP-B045	18V / 2.2A / 4.2A		90 ~ 264VAC	EN55022 B	3.35" x 3.94" x 1.38"
SNP-B047	12V / 3.3A / 6A		90 ~ 264VAC	EN55022 B	3.35" x 3.94" x 1.38"
SNP-B048	15V / 2.7A / 5A		90 ~ 264VAC	EN55022 B	3.35" x 3.94" x 1.38"
SNP-B049	24V / 1.7A / 3A		90 ~ 264VAC	EN55022 B	3.35" x 3.94" x 1.38"
<b>40W Metal Box • Cost Effective • ITE Safety</b>					
SNP-C04B	3.3V / 9A / 11A		85 ~ 264VAC	EN55022 B, EN55011 B	3.23" x 3.9" x 1.42"
SNP-C046	5V / 7A / 10.5A		85 ~ 264VAC	EN55022 B, EN55011 B	3.23" x 3.9" x 1.42"
SNP-C047	12V / 3A / 4.5A		85 ~ 264VAC	EN55022 B, EN55011 B	3.23" x 3.9" x 1.42"
SNP-C048	15V / 2.4A / 3.6A		85 ~ 264VAC	EN55022 B, EN55011 B	3.23" x 3.9" x 1.42"
SNP-C049	24V / 1.7A / 2.5A		85 ~ 264VAC	EN55022 B, EN55011 B	3.23" x 3.9" x 1.42"
SNP-C04T	48V / 0.8A / 1.2A		85 ~ 264VAC	EN55022 B, EN55011 B	3.23" x 3.9" x 1.42"
SNP-C043	5V / 4A / 8A	12V / 1.5A / 3A	85 ~ 264VAC	EN55022 B, EN55011 B	3.23" x 3.9" x 1.42"
SNP-C04A	5V / 3A / 7A	24V / 1A / 2A	85 ~ 264VAC	EN55022 B, EN55011 B	3.23" x 3.9" x 1.42"
<b>40W Class I/II • Open Frame • Slim Type • Green Power • ITE Safety</b>					
SNP-G047	12V / 3.33A / 4.7A		90 ~ 264VAC	EN55022 B, EN61000-3-3	2" x 3" x 0.91"
SNP-G048	15V / 2.66A / 3.8A		90 ~ 264VAC	EN55022 B, EN61000-3-3	2" x 3" x 0.91"
SNP-G045	18V / 2.22A / 3.2A		90 ~ 264VAC	EN55022 B, EN61000-3-3	2" x 3" x 0.91"
SNP-G049	24V / 1.66A / 2.4A		90 ~ 264VAC	EN55022 B, EN61000-3-3	2" x 3" x 0.91"
SNP-G04G	28V / 1.42A / 2A		90 ~ 264VAC	EN55022 B, EN61000-3-3	2" x 3" x 0.91"
SNP-G04J	36V / 1.11A / 1.6A		90 ~ 264VAC	EN55022 B, EN61000-3-3	2" x 3" x 0.91"
SNP-G04T	48V / 0.83A / 1.16A		90 ~ 264VAC	EN55022 B, EN61000-3-3	2" x 3" x 0.91"

Get 4-page product datasheet through direct link on website

# Standard Products List

MODEL	OUTPUT(Voltage/Rated Load/Peak Load)				INPUT	EMI	SIZE(WxLxH)
	I	II	III	IV			
<b>40W Class I/II • Open Frame • Slim Type • Green Power • Medical Safety</b>							
SNP-G047-M	12V / 3.33A / 4.7A				90 ~ 264VAC	EN55022 B, EN61000-3-3	2" x 3" x 0.91"
SNP-G048-M	15V / 2.66A / 3.8A				90 ~ 264VAC	EN55022 B, EN61000-3-3	2" x 3" x 0.91"
SNP-G045-M	18V / 2.22A / 3.2A				90 ~ 264VAC	EN55022 B, EN61000-3-3	2" x 3" x 0.91"
SNP-G049-M	24V / 1.66A / 2.4A				90 ~ 264VAC	EN55022 B, EN61000-3-3	2" x 3" x 0.91"
SNP-G04G-M	28V / 1.42A / 2A				90 ~ 264VAC	EN55022 B, EN61000-3-3	2" x 3" x 0.91"
SNP-G04J-M	36V / 1.11A / 1.6A				90 ~ 264VAC	EN55022 B, EN61000-3-3	2" x 3" x 0.91"
SNP-G04T-M	48V / 0.83A / 1.16A				90 ~ 264VAC	EN55022 B, EN61000-3-3	2" x 3" x 0.91"
<b>40W Open Frame • Slim Type • 3<sup>rd</sup> Ed. Medical Safety</b>							
SNP-H047-M	12V / 3.33A / 4.7A				90 ~ 264VAC	EN55011 B, EN61000-3-3	2" x 3" x 0.91"
SNP-H049-M	24V / 1.66A / 2.4A				90 ~ 264VAC	EN55011 B, EN61000-3-3	2" x 3" x 0.91"
<b>45W Class II • Adapter • Green Power • Medical Safety</b>							
SNP-A047-M	12V / 3.5A / 5.6A				85 ~ 264VAC	CISPR22 B	58 x 120 x 42 (mm)
SNP-A048-M	15V / 2.8A / 4.5A				85 ~ 264VAC	CISPR22 B	58 x 120 x 42 (mm)
SNP-A049-M	24V / 1.9A / 2.9A				85 ~ 264VAC	CISPR22 B	58 x 120 x 42 (mm)
<b>45W Class I • Adapter • Green Power • Medical Safety</b>							
SNP-A047-M3	12V / 3.5A / 5.6A				85 ~ 264VAC	CISPR22 B	58 x 120 x 42 (mm)
SNP-A048-M3	15V / 2.8A / 4.5A				85 ~ 264VAC	CISPR22 B	58 x 120 x 42 (mm)
SNP-A049-M3	24V / 1.9A / 2.9A				85 ~ 264VAC	CISPR22 B	58 x 120 x 42 (mm)
<b>45W Open Frame • Cost Effective • ITE &amp; 2<sup>nd</sup> &amp; 3<sup>rd</sup> Ed. Medical Safety</b>							
SNP-Y041	5V / 3A / 5A	12V / 2A / 4A	-12V / 0.3A		90 ~ 264VAC	EN55022 B, EN55011 B	2" x 4" x 1.102"
SNP-Y043	5V / 3A / 5A	12V / 2.3A / 4A			90 ~ 264VAC	EN55022 B, EN55011 B	2" x 4" x 1.102"
SNP-Y04F	5V / 3A / 6A	24V / 1A / 2.4A	12V / 0.3A		90 ~ 264VAC	EN55022 B, EN55011 B	2" x 4" x 1.102"
SNP-Y046	5V / 7A / 10A				90 ~ 264VAC	EN55022 B, EN55011 B	2" x 4" x 1.102"
SNP-Y047	12V / 3.3A / 5A	5V / 0.5A			90 ~ 264VAC	EN55022 B, EN55011 B	2" x 4" x 1.102"
SNP-Y047-1	12V / 3.3A / 5A				90 ~ 264VAC	EN55022 B, EN55011 B	2" x 4" x 1.102"
SNP-Y048	15V / 2.6A / 4A	5V / 0.5A			90 ~ 264VAC	EN55022 B, EN55011 B	2" x 4" x 1.102"
SNP-Y048-1	15V / 3A / 4A				90 ~ 264VAC	EN55022 B, EN55011 B	2" x 4" x 1.102"
SNP-Y049	24V / 1.7A / 2.5A	5V / 0.5A			90 ~ 264VAC	EN55022 B, EN55011 B	2" x 4" x 1.102"
SNP-Y049-1	24V / 1.9A / 2.5A				90 ~ 264VAC	EN55022 B, EN55011 B	2" x 4" x 1.102"
SNP-Y04T	48V / 1A / 1.35A				90 ~ 264VAC	EN55022 B, EN55011 B	2" x 4" x 1.102"
SNP-Y04D	3.3V / 4A / 5A	5V / 3A / 4A	12V / 0.3A		90 ~ 264VAC	EN55022 B, EN55011 B	2" x 4" x 1.102"
<b>55W Open Frame • Soft Switching • ITE &amp; Medical Safety</b>							
SNP-Z056	5V / 7A / 9A				90 ~ 264VAC	EN55022 B, EN55011 B	2" x 4" x 1.1"
SNP-Z057	12V / 4.6A / 5.4A				90 ~ 264VAC	EN55022 B, EN55011 B	2" x 4" x 1.1"
SNP-Z058	15V / 3.7A / 4.3A				90 ~ 264VAC	EN55022 B, EN55011 B	2" x 4" x 1.1"
SNP-Z059	24V / 2.3A / 2.7A				90 ~ 264VAC	EN55022 B, EN55011 B	2" x 4" x 1.1"
SNP-Z05T	48V / 1.15A / 1.35A				90 ~ 264VAC	EN55022 B, EN55011 B	2" x 4" x 1.1"
<b>60W Class II • Adapter • Green Power • ITE &amp; Medical Safety</b>							
SNP-A067	12V / 4.2A / 5A				90 ~ 264VAC	CISPR22 B	65 x 135 x 40 (mm)
SNP-A068	15V / 3.6A / 4.6A				90 ~ 264VAC	CISPR22 B	65 x 135 x 40 (mm)
SNP-A069	24V / 2.5A / 3A				90 ~ 264VAC	CISPR22 B	65 x 135 x 40 (mm)
SNP-A06T	48V / 1.25A / 1.5A				90 ~ 264VAC	CISPR22 B	65 x 135 x 40 (mm)
<b>60W Adapter • Eco-friendly Design • Green Power • ITE &amp; 3.1 Ed. Medical Safety</b>							
SNP-AF67	12V / 5A / 7.5A				90 ~ 264VAC	CISPR22 B	65 x 135 x 40 (mm)
SNP-AF69	24V / 2.5A / 3.75A				90 ~ 264VAC	CISPR22 B	65 x 135 x 40 (mm)
<b>60W Metal Box • ITE &amp; Medical Safety</b>							
SNP-B065	18V / 3.3A / 6.7A				90 ~ 264VAC	EN55022 B	3.35" x 5.12" x 1.38"
SNP-B067	12V / 5A / 8.5A				90 ~ 264VAC	EN55022 B	3.35" x 5.12" x 1.38"
SNP-B068	15V / 4A / 6.5A				90 ~ 264VAC	EN55022 B	3.35" x 5.12" x 1.38"
SNP-B069	24V / 2.5A / 5A				90 ~ 264VAC	EN55022 B	3.35" x 5.12" x 1.38"
<b>60W Metal Box • Cost Effective • ITE Safety</b>							
SNP-C06B	3.3V / 15A / 20A				85 ~ 264VAC	EN55022 B, EN55011 B	3.74" x 3.93" x 1.42"
SNP-C066	5V / 10A / 18A				85 ~ 264VAC	EN55022 B, EN55011 B	3.74" x 3.93" x 1.42"
SNP-C067	12V / 5A / 7.5A				85 ~ 264VAC	EN55022 B, EN55011 B	3.74" x 3.93" x 1.42"
SNP-C068	15V / 4A / 6A				85 ~ 264VAC	EN55022 B, EN55011 B	3.74" x 3.93" x 1.42"
SNP-C069	24V / 2.5A / 3.8A				85 ~ 264VAC	EN55022 B, EN55011 B	3.74" x 3.93" x 1.42"
SNP-C06T	48V / 1.3A / 1.9A				85 ~ 264VAC	EN55022 B, EN55011 B	3.74" x 3.93" x 1.42"
SNP-C063	5V / 6A / 10A	12V / 2A / 4A			85 ~ 264VAC	EN55022 B, EN55011 B	3.74" x 3.93" x 1.42"
SNP-C06A	5V / 4A / 6A	24V / 1.5A / 3A			85 ~ 264VAC	EN55022 B, EN55011 B	3.74" x 3.93" x 1.42"
SNP-C060	5V / 5A / 8A	12V / 1.5A / 3A	-12V / 0.5A	-5V / 0.5A	85 ~ 264VAC	EN55022 B, EN55011 B	3.74" x 3.93" x 1.42"
SNP-C064	5V / 5A / 8A	15V / 1.2A / 2.7A	-15V / 0.5A	-5V / 0.5A	85 ~ 264VAC	EN55022 B, EN55011 B	3.74" x 3.93" x 1.42"
SNP-C06F	5V / 3A / 6A	12V / 0.9A / 3A	24V / 0.9A / 2A	-12V / 0.5A	85 ~ 264VAC	EN55022 B, EN55011 B	3.74" x 3.93" x 1.42"

Get 4-page product datasheet through direct link on website

# Standard Products List

MODEL	OUTPUT (Voltage/Rated Load/Peak Load)			INPUT	EMI	SIZE(WxLxH)
	I	II	III			
<b>60W Open Frame • ITE Safety</b>						
SNP-CK66	5V /8A			90 ~ 264VAC	EN55022 B, EN55011 B	2" x 4" x 1.24"
SNP-CK67	12V /5A			90 ~ 264VAC	EN55022 B, EN55011 B	2" x 4" x 1.24"
SNP-CK68	15V /4A			90 ~ 264VAC	EN55022 B, EN55011 B	2" x 4" x 1.24"
SNP-CK69	24V /2.5A			90 ~ 264VAC	EN55022 B, EN55011 B	2" x 4" x 1.24"
SNP-CK6T	48V /1.25A			90 ~ 264VAC	EN55022 B, EN55011 B	2" x 4" x 1.24"
SNP-CK6B	3.3V/8A			90 ~ 264VAC	EN55022 B, EN55011 B	2" x 4" x 1.24"
<b>60W Open Frame • Slim Type • High Efficiency • High Density • Cost Effective • Green Power • ITE Safety</b>						
SNP-GK67	12V /5A / 6.5A			90 ~ 264VAC	EN55022 B, EN61000-3-3	2" x 4" x 0.97"
SNP-GK68	15V /4A / 5.6A			90 ~ 264VAC	EN55022 B, EN61000-3-3	2" x 4" x 0.97"
SNP-GK65	18V /3.33A /4.67A			90 ~ 264VAC	EN55022 B, EN61000-3-3	2" x 4" x 0.97"
SNP-GK69	24V /2.5A / 3.5A			90 ~ 264VAC	EN55022 B, EN61000-3-3	2" x 4" x 0.97"
SNP-GK6G	28V /2.14A / 3A			90 ~ 264VAC	EN55022 B, EN61000-3-3	2" x 4" x 0.97"
SNP-GK6J	36V /1.66A /2.21A			90 ~ 264VAC	EN55022 B, EN61000-3-3	2" x 4" x 0.97"
SNP-GK6T	48V /1.25A /1.75A			90 ~ 264VAC	EN55022 B, EN61000-3-3	2" x 4" x 0.97"
SNP-GK6H	60V /1A /1.4A			90 ~ 264VAC	EN55011 B, EN61000-3-3	2" x 4" x 0.97"
<b>60W Open Frame • Slim Type • High Efficiency • High Density • Cost Effective • Green Power • 3<sup>rd</sup> Ed. Medical Safety</b>						
SNP-GK67 -M	12V /5A / 6.5A			90 ~ 264VAC	EN55022 B, EN61000-3-3	2" x 4" x 0.97"
SNP-GK68 -M	15V /4A / 5.6A			90 ~ 264VAC	EN55022 B, EN61000-3-3	2" x 4" x 0.97"
SNP-GK65 -M	18V /3.33A /4.67A			90 ~ 264VAC	EN55022 B, EN61000-3-3	2" x 4" x 0.97"
SNP-GK69 -M	24V /2.5A / 3.5A			90 ~ 264VAC	EN55022 B, EN61000-3-3	2" x 4" x 0.97"
SNP-GK6G-M	28V /2.14A / 3A			90 ~ 264VAC	EN55022 B, EN61000-3-3	2" x 4" x 0.97"
SNP-GK6J -M	36V /1.66A /2.21A			90 ~ 264VAC	EN55022 B, EN61000-3-3	2" x 4" x 0.97"
SNP-GK6T -M	48V /1.25A /1.75A			90 ~ 264VAC	EN55022 B, EN61000-3-3	2" x 4" x 0.97"
SNP-GK6H-M	60V /1A /1.4A			90 ~ 264VAC	EN55011 B, EN61000-3-3	2" x 4" x 0.97"
<b>60W Open Frame • Slim Type • High Efficiency • High Density • Cost Effective • Green Power • for Home Healthcare • 3<sup>rd</sup> Ed. Medical Safety</b>						
SNP-GK67 -MH	12V /5A / 6.5A			90 ~ 264VAC	EN55022 B, EN61000-3-3	2" x 4" x 0.97"
SNP-GK68 -MH	15V /4A / 5.6A			90 ~ 264VAC	EN55022 B, EN61000-3-3	2" x 4" x 0.97"
SNP-GK65 -MH	18V /3.33A /4.67A			90 ~ 264VAC	EN55022 B, EN61000-3-3	2" x 4" x 0.97"
SNP-GK69 -MH	24V /2.5A / 3.5A			90 ~ 264VAC	EN55022 B, EN61000-3-3	2" x 4" x 0.97"
SNP-GK6G-MH	28V /2.14A / 3A			90 ~ 264VAC	EN55022 B, EN61000-3-3	2" x 4" x 0.97"
SNP-GK6J -MH	36V /1.66A /2.21A			90 ~ 264VAC	EN55022 B, EN61000-3-3	2" x 4" x 0.97"
SNP-GK6T -MH	48V /1.25A /1.75A			90 ~ 264VAC	EN55022 B, EN61000-3-3	2" x 4" x 0.97"
SNP-GK6H-MH	60V /1A /1.4A			90 ~ 264VAC	EN55011 B, EN61000-3-3	2" x 4" x 0.97"
<b>60W Open Frame • Slim Type • High Efficiency • High Density • Cost Effective • 3<sup>rd</sup> Ed. Medical Safety</b>						
SNP-H067 -M	12V /5A / 6.5A			90 ~ 264VAC	EN55011 B, EN61000-3-3	2" x 4" x 0.97"
SNP-H068 -M	15V /4A / 5.6A			90 ~ 264VAC	EN55011 B, EN61000-3-3	2" x 4" x 0.97"
SNP-H065 -M	18V /3.33A /4.67A			90 ~ 264VAC	EN55011 B, EN61000-3-3	2" x 4" x 0.97"
SNP-H069 -M	24V /2.5A / 3.5A			90 ~ 264VAC	EN55011 B, EN61000-3-3	2" x 4" x 0.97"
SNP-H06G -M	28V /2.14A / 3A			90 ~ 264VAC	EN55011 B, EN61000-3-3	2" x 4" x 0.97"
SNP-H06J -M	36V /1.66A /2.21A			90 ~ 264VAC	EN55011 B, EN61000-3-3	2" x 4" x 0.97"
SNP-H06T -M	48V /1.25A /1.75A			90 ~ 264VAC	EN55011 B, EN61000-3-3	2" x 4" x 0.97"
SNP-H06H -M	60V /1A /1.4A			90 ~ 264VAC	EN55011 B, EN61000-3-3	2" x 4" x 0.97"
<b>60W Class I/II • Open Frame • 5,000m Altitude • ITE &amp; 3.1 Ed. Medical Safety</b>						
SNP-HF67	12V /5A /7.5A			90 ~ 264VAC	EN55011B, EN61000-3-3	2" x 3.17" x 0.95"
SNP-HF68	15V /4A /6A			90 ~ 264VAC	EN55011B, EN61000-3-3	2" x 3.17" x 0.95"
SNP-HF69	24V /2.5A /3.75A			90 ~ 264VAC	EN55011B, EN61000-3-3	2" x 3.17" x 0.95"
SNP-HF6T	48V /1.25A /1.88A			90 ~ 264VAC	EN55011B, EN61000-3-3	2" x 3.17" x 0.95"
<b>60W Class I/II • Open Frame • without Burst Sound • 5,000m Altitude • ITE &amp; 3.1 Ed. Medical Safety</b>						
SNP-HF67 -A	12V /5A /7.5A			90 ~ 264VAC	EN55011B, EN61000-3-3	2" x 3.17" x 0.95"
SNP-HF68 -A	15V /4A /6A			90 ~ 264VAC	EN55011B, EN61000-3-3	2" x 3.17" x 0.95"
SNP-HF69 -A	24V /2.5A /3.75A			90 ~ 264VAC	EN55011B, EN61000-3-3	2" x 3.17" x 0.95"
SNP-HF6T -A	48V /1.25A /1.88A			90 ~ 264VAC	EN55011B, EN61000-3-3	2" x 3.17" x 0.95"
<b>60W Class I/II • Open Frame • for Home Healthcare • 5,000m Altitude • ITE &amp; 3.1 Ed. Medical Safety</b>						
SNP-HF67 -H	12V /5A /7.5A			90 ~ 264VAC	EN55011B, EN61000-3-3	2" x 3.17" x 0.95"
SNP-HF68 -H	15V /4A /6A			90 ~ 264VAC	EN55011B, EN61000-3-3	2" x 3.17" x 0.95"
SNP-HF69 -H	24V /2.5A /3.75A			90 ~ 264VAC	EN55011B, EN61000-3-3	2" x 3.17" x 0.95"
SNP-HF6T -H	48V /1.25A /1.88A			90 ~ 264VAC	EN55011B, EN61000-3-3	2" x 3.17" x 0.95"
<b>60W Open Frame • Cost Effective • ITE &amp; Medical Safety</b>						
SNP-Y061	5V /3A /7A	12V /3A /6A	-12V /0.3A	90 ~ 264VAC	EN55022 B, EN55011 B	2.5" x 4.5" x 1.18"
SNP-Y066	5V /10A /15A			90 ~ 264VAC	EN55022 B, EN55011 B	2.5" x 4.5" x 1.18"
SNP-Y067	12V /4.8A /7.5A	5V /0.5A /1A		90 ~ 264VAC	EN55022 B, EN55011 B	2.5" x 4.5" x 1.18"
SNP-Y067-1	12V /5A /7.5A			90 ~ 264VAC	EN55022 B, EN55011 B	2.5" x 4.5" x 1.18"
SNP-Y068	15V /3.8A /6A	5V /0.5A /1A		90 ~ 264VAC	EN55022 B, EN55011 B	2.5" x 4.5" x 1.18"
SNP-Y068-1	15V /4A /6A			90 ~ 264VAC	EN55022 B, EN55011 B	2.5" x 4.5" x 1.18"
SNP-Y069	24V /2.4A /3.8A	5V /0.5A /1A		90 ~ 264VAC	EN55022 B, EN55011 B	2.5" x 4.5" x 1.18"
SNP-Y06T	48V /1.25A /1.9A			90 ~ 264VAC	EN55022 B, EN55011 B	2.5" x 4.5" x 1.18"
SNP-Y06D	3.3V/5A /7A	5V /4A /5.5A	12V /1A	90 ~ 264VAC	EN55022 B, EN55011 B	2.5" x 4.5" x 1.18"
SNP-Y06F	5V /3A /7A	24V /1.5A /3A	12V /0.3A	90 ~ 264VAC	EN55022 B, EN55011 B	2.5" x 4.5" x 1.18"

Get 4-page product datasheet through direct link on website



# Standard Products List

MODEL	OUTPUT(Voltage/Rated Load/Peak Load)				INPUT	EMI	SIZE(WxLxH)
	I	II	III	IV			
<b>65W Open Frame • ITE &amp; Medical Safety</b>							
SNP-Z061	5V / 3A / 5A	12V / 3A / 5A	-12V / 0.3A		90 ~ 264VAC	EN55022 B. EN55011B	2" x 4" x 1.18"
SNP-Z06D	3.3V/4.5A/6A	5V / 3A / 5A	12V / 0.7A		90 ~ 264VAC	EN55022 B. EN55011B	2" x 4" x 1.18"
SNP-Z063	5V / 3A / 6A	12V / 3A / 5A			90 ~ 264VAC	EN55022 B. EN55011B	2" x 4" x 1.18"
SNP-Z06A	5V / 4A / 6A	24V / 1.5A / 3A			90 ~ 264VAC	EN55022 B. EN55011B	2" x 4" x 1.18"
SNP-Z066-1	5V / 12A / 18A				90 ~ 264VAC	EN55022 B. EN55011B	2" x 4" x 1.18"
SNP-Z067	12V / 4.8A / 7.5A	5V / 0.5A			90 ~ 264VAC	EN55022 B. EN55011B	2" x 4" x 1.18"
SNP-Z067-1	12V / 5A / 7.5A				90 ~ 264VAC	EN55022 B. EN55011B	2" x 4" x 1.18"
SNP-Z068	15V / 3.8A / 6A	5V / 0.5A			90 ~ 264VAC	EN55022 B. EN55011B	2" x 4" x 1.18"
SNP-Z068-1	15V / 4.3A / 6A				90 ~ 264VAC	EN55022 B. EN55011B	2" x 4" x 1.18"
SNP-Z069	24V / 2.4A / 3.7A	5V / 0.5A			90 ~ 264VAC	EN55022 B. EN55011B	2" x 4" x 1.18"
SNP-Z069-1	24V / 2.7A / 3.7A				90 ~ 264VAC	EN55022 B. EN55011B	2" x 4" x 1.18"
SNP-Z06T	48V / 1.35A / 1.9A				90 ~ 264VAC	EN55022 B. EN55011B	2" x 4" x 1.18"
<b>75W Open Frame • Cost Effective • ITE &amp; 2<sup>nd</sup> Ed. Medical Safety</b>							
SNP-Y071	5V / 3.5A / 5A	12V / 3.5A / 9A	-12V / 0.3A		90 ~ 264VAC	EN55022 B. EN55011B	3" x 5" x 1.18"
SNP-Y073	5V / 3.5A / 5A	12V / 4A / 9A			90 ~ 264VAC	EN55022 B. EN55011B	3" x 5" x 1.18"
SNP-Y076	5V / 14A				90 ~ 264VAC	EN55022 B. EN55011B	3" x 5" x 1.18"
SNP-Y077	12V / 5.6A / 9A	5V / 0.5A			90 ~ 264VAC	EN55022 B. EN55011B	3" x 5" x 1.18"
SNP-Y078	15V / 4.8A / 8A	5V / 0.5A			90 ~ 264VAC	EN55022 B. EN55011B	3" x 5" x 1.18"
SNP-Y079	24V / 3A / 5A	5V / 0.5A			90 ~ 264VAC	EN55022 B. EN55011B	3" x 5" x 1.18"
SNP-Y07T	48V / 1.6A				90 ~ 264VAC	EN55022 B. EN55011B	3" x 5" x 1.18"
SNP-Y07B	3.3V / 15A				90 ~ 264VAC	EN55022 B. EN55011B	3" x 5" x 1.18"
SNP-Y07E	3.3V / 6A / 10A	5V / 4A / 7A	12V / 2A	-12V / 0.6A	90 ~ 264VAC	EN55022 B. EN55011B	3" x 5" x 1.18"
<b>75W Open Frame • ITE &amp; Medical Safety</b>							
SNP-Z071	5V / 3.5A / 5A	12V / 3.5A / 9A	-12V / 0.3A		90 ~ 264VAC	EN55022 B. EN55011B	3" x 5" x 1.18"
SNP-Z073	5V / 3.5A / 5A	12V / 4A / 9A			90 ~ 264VAC	EN55022 B. EN55011B	3" x 5" x 1.18"
SNP-Z076	5V / 14A				90 ~ 264VAC	EN55022 B. EN55011B	3" x 5" x 1.18"
SNP-Z077	12V / 5.6A / 9A	5V / 0.5A			90 ~ 264VAC	EN55022 B. EN55011B	3" x 5" x 1.18"
SNP-Z078	15V / 4.8A / 8A	5V / 0.5A			90 ~ 264VAC	EN55022 B. EN55011B	3" x 5" x 1.18"
SNP-Z079	24V / 3A / 5A	5V / 0.5A			90 ~ 264VAC	EN55022 B. EN55011B	3" x 5" x 1.18"
SNP-Z07T	48V / 1.6A				90 ~ 264VAC	EN55022 B. EN55011B	3" x 5" x 1.18"
SNP-Z07E	3.3V / 6A / 10A	5V / 4A / 7A	12V / 2A	-12V / 0.6A	90 ~ 264VAC	EN55022 B. EN55011B	3" x 5" x 1.18"
<b>80W Class II • Adapter • Green Power • ITE &amp; Medical Safety</b>							
SNP-A087	12V / 6A / 9A				90 ~ 264VAC	CISPR22 B	72 x 145 x 42 (mm)
SNP-A088	15V / 5A / 7.5A				90 ~ 264VAC	CISPR22 B	72 x 145 x 42 (mm)
SNP-A085	18V / 4.5A / 6.7A				90 ~ 264VAC	CISPR22 B	72 x 145 x 42 (mm)
SNP-A089	24V / 3.3A / 5A				90 ~ 264VAC	CISPR22 B	72 x 145 x 42 (mm)
SNP-A08T	48V / 1.75A / 2.5A				90 ~ 264VAC	CISPR22 B	72 x 145 x 42 (mm)
<b>80W Class I • Adapter • Green Power • ITE &amp; Medical Safety</b>							
SNP-A087-3	12V / 6A / 9A				90 ~ 264VAC	CISPR22 B	72 x 145 x 42 (mm)
SNP-A088-3	15V / 5A / 7.5A				90 ~ 264VAC	CISPR22 B	72 x 145 x 42 (mm)
SNP-A085-3	18V / 4.5A / 6.7A				90 ~ 264VAC	CISPR22 B	72 x 145 x 42 (mm)
SNP-A089-3	24V / 3.3A / 5A				90 ~ 264VAC	CISPR22 B	72 x 145 x 42 (mm)
SNP-A08T-3	48V / 1.75A / 2.5A				90 ~ 264VAC	CISPR22 B	72 x 145 x 42 (mm)
<b>80W Class I • Adapter • Energy Saving • Green Power • ITE &amp; 3.1 Ed. Medical Safety</b>							
SNP-AF87-3	12V / 6A / 8.4A				90 ~ 264VAC	CISPR22 B	72 x 145 x 42 (mm)
SNP-AF89-3	24V / 3.2A / 4.6A				90 ~ 264VAC	CISPR22 B	72 x 145 x 42 (mm)
<b>80W Class I • Adapter • Energy Saving • Green Power • for Home Healthcare • ITE &amp; 3.1 Ed. Medical Safety</b>							
SNP-AF87-H	12V / 6A / 8.4A				90 ~ 264VAC	CISPR22 B	72 x 145 x 42 (mm)
SNP-AF89-H	24V / 3.2A / 4.6A				90 ~ 264VAC	CISPR22 B	72 x 145 x 42 (mm)
<b>80W Metal Box • Cost Effective • ITE Safety</b>							
SNP-C08B	3.3V / 17A / 27A				85 ~ 264VAC	EN55022 B, EN55011 B	3.74" x 5.08" x 1.42"
SNP-C086	5V / 14A / 23A				85 ~ 264VAC	EN55022 B, EN55011 B	3.74" x 5.08" x 1.42"
SNP-C087	12V / 7A / 10.5A				85 ~ 264VAC	EN55022 B, EN55011 B	3.74" x 5.08" x 1.42"
SNP-C088	15V / 5.3A / 8A				85 ~ 264VAC	EN55022 B, EN55011 B	3.74" x 5.08" x 1.42"
SNP-C089	24V / 3.3A / 5A				85 ~ 264VAC	EN55022 B, EN55011 B	3.74" x 5.08" x 1.42"
SNP-C08T	48V / 1.7A / 2.6A				85 ~ 264VAC	EN55022 B, EN55011 B	3.74" x 5.08" x 1.42"
SNP-C083	5V / 7A / 12A	12V / 3A / 5A			85 ~ 264VAC	EN55022 B, EN55011 B	3.74" x 5.08" x 1.42"
SNP-C08A	5V / 5A / 10A	24V / 2A / 4A			85 ~ 264VAC	EN55022 B, EN55011 B	3.74" x 5.08" x 1.42"
SNP-C080	5V / 6A / 10A	12V / 2.5A / 5A	-12V / 0.5A	-5V / 0.5A	85 ~ 264VAC	EN55022 B, EN55011 B	3.74" x 5.08" x 1.42"
SNP-C084	5V / 6A / 10A	15V / 2A / 4A	-15V / 0.5A	-5V / 0.5A	85 ~ 264VAC	EN55022 B, EN55011 B	3.74" x 5.08" x 1.42"
SNP-C08F	5V / 4A / 8A	12V / 1.5A / 4A	24V / 1A / 2.5A	-12V / 0.5A	85 ~ 264VAC	EN55022 B, EN55011 B	3.74" x 5.08" x 1.42"

Get 4-page product datasheet through direct link on website

# Standard Products List

MODEL	OUTPUT(Voltage/Rated Load/Peak Load)				INPUT	EMI	SIZE(WxLxH)
	I	II	III	IV			
<b>80W Class I/II • Open Frame • Cost Effective • 5,000m Altitude • ITE &amp; 3.1 Ed. Medical Safety</b>							
SNP-HF87 SNP-HF88 SNP-HF89 SNP-HF8T	12V / 6.66A / 9A 15V / 5.33A / 8A 24V / 3.33A / 5.3A 48V / 1.67A / 2.71A				90 ~ 264VAC 90 ~ 264VAC 90 ~ 264VAC 90 ~ 264VAC	EN55011 B, EN61000-3-3 EN55011 B, EN61000-3-3 EN55011 B, EN61000-3-3 EN55011 B, EN61000-3-3	2" x 4" x 1.18" 2" x 4" x 1.18" 2" x 4" x 1.18" 2" x 4" x 1.18"
<b>80W Class I/II • Open Frame • without Burst Sound • Cost Effective • 5,000m Altitude • ITE &amp; 3.1 Ed. Medical Safety</b>							
SNP-HF87-A SNP-HF88-A SNP-HF89-A SNP-HF8T-A	12V / 6.66A / 9A 15V / 5.33A / 8A 24V / 3.33A / 5.3A 48V / 1.67A / 2.71A				90 ~ 264VAC 90 ~ 264VAC 90 ~ 264VAC 90 ~ 264VAC	EN55011 B, EN61000-3-3 EN55011 B, EN61000-3-3 EN55011 B, EN61000-3-3 EN55011 B, EN61000-3-3	2" x 4" x 1.18" 2" x 4" x 1.18" 2" x 4" x 1.18" 2" x 4" x 1.18"
<b>80W Class I/II • Open Frame • for Home Healthcare • Cost Effective • 5,000m Altitude • ITE &amp; 3.1 Ed. Medical Safety</b>							
SNP-HF87-H SNP-HF88-H SNP-HF89-H SNP-HF8T-H	12V / 6.66A / 9A 15V / 5.33A / 8A 24V / 3.33A / 5.3A 48V / 1.67A / 2.71A				90 ~ 264VAC 90 ~ 264VAC 90 ~ 264VAC 90 ~ 264VAC	EN55011 B, EN61000-3-3 EN55011 B, EN61000-3-3 EN55011 B, EN61000-3-3 EN55011 B, EN61000-3-3	2" x 4" x 1.18" 2" x 4" x 1.18" 2" x 4" x 1.18" 2" x 4" x 1.18"
<b>85W Open Frame • ITE &amp; Medical Safety</b>							
SNP-Z081 SNP-Z083 SNP-Z08F SNP-Z086 SNP-Z087 SNP-Z087-1 SNP-Z089 SNP-Z089-1 SNP-Z08T	5V / 6A / 15A 5V / 6A / 15A 5V / 6A / 15A 5V / 15A 12V / 6.5A / 11A 12V / 7A / 11A 24V / 3.6A / 5.6A 24V / 3.75A / 5.6A 48V / 1.88A / 2.8A	12V / 4A / 10A 12V / 4A / 10A 24V / 2A / 5A 5V / 0.5A 5V / 0.5A	-12V / 0.5A 12V / 0.5A		90 ~ 264VAC 90 ~ 264VAC 90 ~ 264VAC 90 ~ 264VAC 90 ~ 264VAC 90 ~ 264VAC 90 ~ 264VAC 90 ~ 264VAC 90 ~ 264VAC	EN55022 B, EN55011 B EN55022 B, EN55011 B EN55022 B, EN55011 B EN55022 B, EN55011 B EN55022 B, EN55011 B EN55022 B, EN55011 B EN55022 B, EN55011 B EN55022 B, EN55011 B EN55022 B, EN55011 B	2.5" x 4.5" x 1.18" 2.5" x 4.5" x 1.18" 2.5" x 4.5" x 1.18" 2.5" x 4.5" x 1.18" 2.5" x 4.5" x 1.18" 2.5" x 4.5" x 1.18" 2.5" x 4.5" x 1.18" 2.5" x 4.5" x 1.18" 2.5" x 4.5" x 1.18"
<b>86W Open Frame • with ATX outputs &amp; connectors • ITE &amp; 3<sup>rd</sup> Ed. Medical Safety</b>							
SNP-TX08	3.3V / 3.5A / 1A min. 5Vsb / 1A	5V / 3.5A / 1A min.	12V / 3.5A / 8A	-12V / 0.5A / 0.5A	90 ~ 264VAC	EN55011 B, EN61000-3-3	3" x 5" x 1.38"
<b>100W Adapter • Green Power • ITE &amp; Medical Safety</b>							
SNP-A107 SNP-A108 SNP-A105 SNP-A109 SNP-A10T	12V / 7.5A / 9A 15V / 6A / 7.2A 18V / 5A 24V / 3.8A / 5A 48V / 2A / 2.4A				90 ~ 264VAC 90 ~ 264VAC 90 ~ 264VAC 90 ~ 264VAC 90 ~ 264VAC	CISPR22 B CISPR22 B CISPR22 B CISPR22 B CISPR22 B	78 x 167 x 47 (mm) 78 x 167 x 47 (mm) 78 x 167 x 47 (mm) 78 x 167 x 47 (mm) 78 x 167 x 47 (mm)
<b>PFC + 100W Metal Box • Soft Switching • ITE &amp; Medical Safety</b>							
SNP-B105 SNP-B107 SNP-B108 SNP-B109	18V / 5.6A / 8A 12V / 8.3A / 12A 15V / 6.7A / 10A 24V / 4.2A / 6A				90 ~ 264VAC 90 ~ 264VAC 90 ~ 264VAC 90 ~ 264VAC	EN55022 B EN55022 B EN55022 B EN55022 B	3.35" x 6.3" x 1.38" 3.35" x 6.3" x 1.38" 3.35" x 6.3" x 1.38" 3.35" x 6.3" x 1.38"
<b>PFC + 100W Metal Box • Soft Switching • Cost Effective • ITE Safety</b>							
SNP-C106 SNP-C107 SNP-C108 SNP-C109 SNP-C10T SNP-C103 SNP-C10A SNP-C100 SNP-C104 SNP-C10F	5V / 18A / 30A 12V / 9A / 13.5A 15V / 7A / 10.5A 24V / 4.5A / 6.8A 48V / 2.3A / 3.4A 5V / 8A / 12A 5V / 7A / 12A 5V / 7A / 15A 5V / 7A / 15A 5V / 5A / 10A	12V / 4.5A / 8A 24V / 2.5A / 4A	-12V / 0.5A -15V / 0.5A	-5V / 0.5A -5V / 0.5A -12V / 0.5A	85 ~ 264VAC 85 ~ 264VAC 85 ~ 264VAC 85 ~ 264VAC 85 ~ 264VAC 85 ~ 264VAC 85 ~ 264VAC 85 ~ 264VAC 85 ~ 264VAC 85 ~ 264VAC	EN55022 B, EN55011 B EN55022 B, EN55011 B EN55022 B, EN55011 B EN55022 B, EN55011 B EN55022 B, EN55011 B EN55022 B, EN55011 B EN55022 B, EN55011 B EN55022 B, EN55011 B EN55022 B, EN55011 B EN55022 B, EN55011 B	3.74" x 6.26" x 1.42" 3.74" x 6.26" x 1.42" 3.74" x 6.26" x 1.42" 3.74" x 6.26" x 1.42" 3.74" x 6.26" x 1.42" 3.74" x 6.26" x 1.42" 3.74" x 6.26" x 1.42" 3.74" x 6.26" x 1.42" 3.74" x 6.26" x 1.42" 3.74" x 6.26" x 1.42"
<b>100W Class I/II • Open Frame • Energy Saving • Cost Effective • 5,000m Altitude • ITE &amp; 3.1 Ed. Medical Safety</b>							
SNP-HFA7 SNP-HFA8 SNP-HFA9 SNP-HFAT	12V / 7.5A / 11.7A 15V / 6A / 9.4A 24V / 4.17A / 6.25A 48V / 2.1A / 2.92A				90 ~ 264VAC 90 ~ 264VAC 90 ~ 264VAC 90 ~ 264VAC	EN55011 B, EN61000-3-3 EN55011 B, EN61000-3-3 EN55011 B, EN61000-3-3 EN55011 B, EN61000-3-3	2" x 4" x 1.32" 2" x 4" x 1.34" 2" x 4" x 1.18" 2" x 4" x 1.20"
<b>100W Class I/II • Open Frame • without Burst Sound • Energy Saving • Cost Effective • 5,000m Altitude • ITE &amp; 3.1 Ed. Medical Safety</b>							
SNP-HFA7-A SNP-HFA8-A SNP-HFA9-A SNP-HFAT-A	12V / 7.5A / 11.7A 15V / 6A / 9.4A 24V / 4.17A / 6.25A 48V / 2.1A / 2.92A				90 ~ 264VAC 90 ~ 264VAC 90 ~ 264VAC 90 ~ 264VAC	EN55011 B, EN61000-3-3 EN55011 B, EN61000-3-3 EN55011 B, EN61000-3-3 EN55011 B, EN61000-3-3	2" x 4" x 1.32" 2" x 4" x 1.34" 2" x 4" x 1.18" 2" x 4" x 1.20"

Get 4-page product datasheet through direct link on website

# Standard Products List

MODEL	OUTPUT(Voltage/Rated Load/Peak Load)				INPUT	EMI	SIZE(WxLxH)
	I	II	III	IV			
<b>100W Class I/II • Open Frame • for Home Healthcare • Energy Saving • Cost Effective • 5,000m Altitude • ITE &amp; 3.1 Ed. Medical Safety</b>							
SNP-HFA7-H SNP-HFA8-H SNP-HFA9-H SNP-HFAT-H	12V / 7.5A / 11.7A 15V / 6A / 9.4A 24V / 4.17A / 6.25A 48V / 2.1A / 2.92A				90 ~ 264VAC 90 ~ 264VAC 90 ~ 264VAC 90 ~ 264VAC	EN55011 B, EN61000-3-3 EN55011 B, EN61000-3-3 EN55011 B, EN61000-3-3 EN55011 B, EN61000-3-3	2" x 4" x 1.32" 2" x 4" x 1.34" 2" x 4" x 1.18" 2" x 4" x 1.20"
<b>PFC + 100W Open Frame • Soft Switching • ITE Safety</b>							
SNP-Z106 SNP-Z107 SNP-Z108 SNP-Z109 SNP-Z10T SNP-Z101 SNP-Z103 SNP-Z10D SNP-Z10B	5V / 20A 12V / 9A 15V / 7A 24V / 4.5A 48V / 2.3A 5V / 11.5A 5V / 7A 3.3V / 10A 3.3V / 25A	12V / 3A 12V / 8A 5V / 8A	-12V / 0.5A 12V / 0.5A		90 ~ 264VAC 90 ~ 264VAC 90 ~ 264VAC 90 ~ 264VAC 90 ~ 264VAC 90 ~ 264VAC 90 ~ 264VAC 90 ~ 264VAC 90 ~ 264VAC	EN55022 B EN55022 B EN55022 B EN55022 B EN55022 B EN55022 B EN55022 B EN55022 B EN55022 B	3" x 5" x 1.18" 3" x 5" x 1.18" 3" x 5" x 1.18" 3" x 5" x 1.18" 3" x 5" x 1.18" 3" x 5" x 1.26" 3" x 5" x 1.26" 3" x 5" x 1.26" 3" x 5" x 1.18"
<b>PFC + 100W Open Frame • Soft Switching • 2<sup>nd</sup> &amp; 3<sup>rd</sup> Ed. Medical Safety</b>							
SNP-Z106 -M SNP-Z107 -M SNP-Z108 -M SNP-Z109 -M SNP-Z10T -M SNP-Z10H -M SNP-Z101 -M SNP-Z104 -M SNP-Z10K -M	5V / 20A 12V / 9A 15V / 7A 24V / 4.5A 48V / 2.1A 28V / 3.8A 5V / 10A 5V / 10A 5V / 2.5A	12V / 3A 15V / 2.5A 24V / 2.8A	-12V / 0.8A -15V / 0.8A 12V / 0.7A		90 ~ 264VAC 90 ~ 264VAC 90 ~ 264VAC 90 ~ 264VAC 90 ~ 264VAC 90 ~ 264VAC 90 ~ 264VAC 90 ~ 264VAC 90 ~ 264VAC	EN55011 B, EN61000-3-3 EN55011 B, EN61000-3-3 EN55011 B, EN61000-3-3 EN55011 B, EN61000-3-3 EN55011 B, EN61000-3-3 EN55011 B, EN61000-3-3 EN55011 B, EN61000-3-3 EN55011 B, EN61000-3-3 EN55011 B, EN61000-3-3	3" x 5" x 1.18" 3" x 5" x 1.18" 3" x 5" x 1.18" 3" x 5" x 1.18" 3" x 5" x 1.18" 3" x 5" x 1.18" 3" x 5" x 1.26" 3" x 5" x 1.26" 3" x 5" x 1.26"
<b>110W Open Frame • Cost Effective • ITE &amp; 2<sup>nd</sup> Ed. Medical Safety</b>							
SNP-Y111 SNP-Y11E SNP-Y116 SNP-Y117 SNP-Y117-1 SNP-Y118 SNP-Y118-1 SNP-Y119 SNP-Y119-1 SNP-Y11T SNP-Y110 SNP-Y11F	5V / 7A / 20A 3.3V / 10A 5V / 19A 12V / 8.5A / 13A 12V / 9A / 13A 15V / 7A / 10.5A 15V / 7A / 10.5A 24V / 4.5A / 6.5A 24V / 4.5A / 6.5A 48V / 2.3A / 3.5A 5V / 6A / 20A 5V / 6A / 15A	12V / 5A / 11A 5V / 8A 5V / 1A 5V / 1A / 1A 5V / 1A / 1A	-12V / 0.5A 12V / 2A -12V / 0.2A	-12V / 0.2A	90 ~ 264VAC 90 ~ 264VAC 90 ~ 264VAC 90 ~ 264VAC 90 ~ 264VAC 90 ~ 264VAC 90 ~ 264VAC 90 ~ 264VAC 90 ~ 264VAC 90 ~ 264VAC 90 ~ 264VAC 90 ~ 264VAC	EN55022 B, EN55011 B EN55022 B, EN55011 B EN55022 B, EN55011 B EN55022 B, EN55011 B EN55022 B, EN55011 B EN55022 B, EN55011 B EN55022 B, EN55011 B EN55022 B, EN55011 B EN55022 B, EN55011 B EN55022 B, EN55011 B EN55022 B, EN55011 B EN55022 B, EN55011 B	3.5" x 6" x 1.42" 3.5" x 6" x 1.42" 3.5" x 6" x 1.42" 3.5" x 6" x 1.42" 3.5" x 6" x 1.42" 3.5" x 6" x 1.42" 3.5" x 6" x 1.42" 3.5" x 6" x 1.42" 3.5" x 6" x 1.42" 3.5" x 6" x 1.42" 3.5" x 6" x 1.42" 3.5" x 6" x 1.42"
<b>PFC + 120W Class I • Adapter • ITE Safety</b>							
SNP-A127 SNP-A128 SNP-A125 SNP-A129 SNP-A12T	12V / 9A / 15A 15V / 7.5A / 10A 18V / 6.5A / 9A 24V / 5A / 7A 48V / 2.5A / 4A				90 ~ 264VAC 90 ~ 264VAC 90 ~ 264VAC 90 ~ 264VAC 90 ~ 264VAC	CISPR22 B CISPR22 B CISPR22 B CISPR22 B CISPR22 B	95 x 180 x 50 (mm) 95 x 180 x 50 (mm) 95 x 180 x 50 (mm) 95 x 180 x 50 (mm) 95 x 180 x 50 (mm)
<b>PFC + 120W Class I • Adapter • Medical Safety</b>							
SNP-A127-M SNP-A128-M SNP-A125-M SNP-A129-M SNP-A12T-M	12V / 9A / 15A 15V / 7.5A / 10A 18V / 6.5A / 9A 24V / 5A / 7A 48V / 2.5A / 4A				90 ~ 264VAC 90 ~ 264VAC 90 ~ 264VAC 90 ~ 264VAC 90 ~ 264VAC	CISPR22 B CISPR22 B CISPR22 B CISPR22 B CISPR22 B	95 x 180 x 50 (mm) 95 x 180 x 50 (mm) 95 x 180 x 50 (mm) 95 x 180 x 50 (mm) 95 x 180 x 50 (mm)
<b>PFC + 120W Din-Rail • Soft Switching • ITE Safety</b>							
SNP-D129	24V / 5A / 6A				90 ~ 264VAC	EN55022 B, EN61000-3-2 D	2.56" x 4.92" x 4.06"
<b>120W Adapter • DoE Level VI Eco-design • ITE &amp; Medical Safety</b>							
SNP-E127 SNP-E129	12V / 10A / 15A 24V / 5A / 7.5A				85 ~ 264VAC 85 ~ 264VAC	CISPR22 B CISPR22 B	78 x 167 x 47 (mm) 78 x 167 x 47 (mm)
<b>120W Adapter • DoE Level VI Eco-design • for Home Healthcare • ITE &amp; Medical Safety</b>							
SNP-E127-H SNP-E129-H	12V / 10A / 15A 24V / 5A / 7.5A				85 ~ 264VAC 85 ~ 264VAC	CISPR22 B CISPR22 B	78 x 167 x 47 (mm) 78 x 167 x 47 (mm)
<b>PFC + 120W Open Frame • Soft Switching • High Efficiency • High Density • Green Power • ITE Safety</b>							
SNP-G127 SNP-G128 SNP-G125 SNP-G129 SNP-G12G SNP-G12J SNP-G12T	12V / 10A / 16.7A 15V / 8A / 13.4A 18V / 6.6A / 11.1A 24V / 5A / 8.3A 28V / 4.3A / 7.2A 36V / 3.4A / 5.6A 48V / 2.5A / 4.2A				90 ~ 264VAC 90 ~ 264VAC 90 ~ 264VAC 90 ~ 264VAC 90 ~ 264VAC 90 ~ 264VAC 90 ~ 264VAC	EN55022 B, EN61000-3-3 EN55022 B, EN61000-3-3 EN55022 B, EN61000-3-3 EN55022 B, EN61000-3-3 EN55022 B, EN61000-3-3 EN55022 B, EN61000-3-3 EN55022 B, EN61000-3-3	2" x 4.2" x 1.28" 2" x 4.2" x 1.28" 2" x 4.2" x 1.28" 2" x 4.2" x 1.28" 2" x 4.2" x 1.28" 2" x 4.2" x 1.28" 2" x 4.2" x 1.28"

Get 4-page product datasheet through direct link on website



# Standard Products List

MODEL	OUTPUT(Voltage/Rated Load/Peak Load)				INPUT	EMI	SIZE(WxLxH)
	I	II	III	IV			
<b>PFC + 120W Open Frame · without Burst Sound · Soft Switching · High Efficiency · High Density · Green Power · ITE</b>							
SNP-G127 -A	12V / 10A / 16.7A				90 ~ 264VAC	EN55022 B, EN61000-3-3	2" x 4.2" x 1.28"
SNP-G128 -A	15V / 8A / 13.4A				90 ~ 264VAC	EN55022 B, EN61000-3-3	2" x 4.2" x 1.28"
SNP-G125 -A	18V / 6.6A / 11.1A				90 ~ 264VAC	EN55022 B, EN61000-3-3	2" x 4.2" x 1.28"
SNP-G129 -A	24V / 5A / 8.3A				90 ~ 264VAC	EN55022 B, EN61000-3-3	2" x 4.2" x 1.28"
SNP-G12G-A	28V / 4.3A / 7.2A				90 ~ 264VAC	EN55022 B, EN61000-3-3	2" x 4.2" x 1.28"
SNP-G12J -A	36V / 3.4A / 5.6A				90 ~ 264VAC	EN55022 B, EN61000-3-3	2" x 4.2" x 1.28"
SNP-G12T -A	48V / 2.5A / 4.2A				90 ~ 264VAC	EN55022 B, EN61000-3-3	2" x 4.2" x 1.28"
<b>PFC + 120W Open Frame · Soft Switching · High Efficiency · High Density · Green Power · 3.1 Ed. Medical Safety</b>							
SNP-G127 -M	12V / 10A / 16.7A				90 ~ 264VAC	EN55022 B, EN61000-3-3	2" x 4.2" x 1.28"
SNP-G128 -M	15V / 8A / 13.4A				90 ~ 264VAC	EN55022 B, EN61000-3-3	2" x 4.2" x 1.28"
SNP-G125 -M	18V / 6.6A / 11.1A				90 ~ 264VAC	EN55022 B, EN61000-3-3	2" x 4.2" x 1.28"
SNP-G129 -M	24V / 5A / 8.3A				90 ~ 264VAC	EN55022 B, EN61000-3-3	2" x 4.2" x 1.28"
SNP-G12G-M	28V / 4.3A / 7.2A				90 ~ 264VAC	EN55022 B, EN61000-3-3	2" x 4.2" x 1.28"
SNP-G12J -M	36V / 3.4A / 5.6A				90 ~ 264VAC	EN55022 B, EN61000-3-3	2" x 4.2" x 1.28"
SNP-G12T -M	48V / 2.5A / 4.2A				90 ~ 264VAC	EN55022 B, EN61000-3-3	2" x 4.2" x 1.28"
<b>PFC + 120W Open Frame · without Burst Sound · Soft Switching · High Efficiency · High Density · Green Power · 3.1 Ed. Medical Safety</b>							
SNP-G127 -MA	12V / 10A / 16.7A				90 ~ 264VAC	EN55022 B, EN61000-3-3	2" x 4.2" x 1.28"
SNP-G128 -MA	15V / 8A / 13.4A				90 ~ 264VAC	EN55022 B, EN61000-3-3	2" x 4.2" x 1.28"
SNP-G125 -MA	18V / 6.6A / 11.1A				90 ~ 264VAC	EN55022 B, EN61000-3-3	2" x 4.2" x 1.28"
SNP-G129 -MA	24V / 5A / 8.3A				90 ~ 264VAC	EN55022 B, EN61000-3-3	2" x 4.2" x 1.28"
SNP-G12G-MA	28V / 4.3A / 7.2A				90 ~ 264VAC	EN55022 B, EN61000-3-3	2" x 4.2" x 1.28"
SNP-G12J -MA	36V / 3.4A / 5.6A				90 ~ 264VAC	EN55022 B, EN61000-3-3	2" x 4.2" x 1.28"
SNP-G12T -MA	48V / 2.5A / 4.2A				90 ~ 264VAC	EN55022 B, EN61000-3-3	2" x 4.2" x 1.28"
<b>PFC + 120W Open Frame · for Home Healthcare · Soft Switching · High Efficiency · High Density · Green Power · ITE</b>							
SNP-G127 -H	12V / 10A / 16.7A				90 ~ 264VAC	EN55022 B, EN61000-3-3	2" x 4.2" x 1.28"
SNP-G129 -H	24V / 5A / 8.3A				90 ~ 264VAC	EN55022 B, EN61000-3-3	2" x 4.2" x 1.28"
SNP-G12T -H	48V / 2.5A / 4.2A				90 ~ 264VAC	EN55022 B, EN61000-3-3	2" x 4.2" x 1.28"
<b>PFC + 120W Open Frame · Green Power · ITE &amp; 3<sup>rd</sup> Ed. Medical Safety</b>							
SNP-X127	12V / 10A / 13A				90 ~ 264VAC	EN55022 B	3" x 5" x 1.319"
SNP-X128	15V / 8A / 9.6A				90 ~ 264VAC	EN55022 B	3" x 5" x 1.319"
SNP-X125	18V / 6.7A / 8A				90 ~ 264VAC	EN55022 B	3" x 5" x 1.319"
SNP-X129	24V / 5A / 6.5A				90 ~ 264VAC	EN55022 B	3" x 5" x 1.319"
SNP-X12T	48V / 2.5A / 3A				90 ~ 264VAC	EN55022 B	3" x 5" x 1.319"
SNP-X12H	60V / 2A / 2.4A				90 ~ 264VAC	EN55022 B	3" x 5" x 1.319"
<b>120W Open Frame · Eco-friendly design · 5,000m operating altitude · ITE &amp; 3<sup>rd</sup> Medical Safety</b>							
SNP-TX12	3.3V / 5A / 1A min. 5Vsb / 1A	5V / 5A / 1A min.	12V / 5A / 11A	-12V / 0.5A / 0.5A	90 ~ 264VAC	EN55011 B, EN61000-3-3	3" x 5" x 1.38"
<b>PFC + 120W Open Frame · High Efficiency · ITE &amp; 3.1 Ed. Medical Safety</b>							
SNP-V127	12V / 10A / 20A				90 ~ 264VAC	EN55022 B	2.39" x 4" x 1.26"
SNP-V129	24V / 5A / 10A				90 ~ 264VAC	EN55022 B	2.39" x 4" x 1.26"
<b>150W Adapter · Green Power · ITE Safety</b>							
SNP-A157	12V / 11.25A / 14A				90 ~ 264VAC	CISPR22 B	99 x 180 x 52 (mm)
SNP-A158	15V / 9.3A / 12.1A				90 ~ 264VAC	CISPR22 B	99 x 180 x 52 (mm)
SNP-A155	18V / 7.8A / 10.1A				90 ~ 264VAC	CISPR22 B	99 x 180 x 52 (mm)
SNP-A159	24V / 6A / 7.2A				90 ~ 264VAC	CISPR22 B	99 x 180 x 52 (mm)
SNP-A15T	48V / 3A				90 ~ 264VAC	CISPR22 B	99 x 180 x 52 (mm)
<b>150W Adapter · Green Power · Medical Safety</b>							
SNP-A157-M	12V / 11.25A / 14A				90 ~ 264VAC	CISPR22 B	99 x 180 x 52 (mm)
SNP-A158-M	15V / 9.3A / 12.1A				90 ~ 264VAC	CISPR22 B	99 x 180 x 52 (mm)
SNP-A155-M	18V / 7.8A / 10.1A				90 ~ 264VAC	CISPR22 B	99 x 180 x 52 (mm)
SNP-A159-M	24V / 6A / 7.2A				90 ~ 264VAC	CISPR22 B	99 x 180 x 52 (mm)
SNP-A15T-M	48V / 3A				90 ~ 264VAC	CISPR22 B	99 x 180 x 52 (mm)
<b>PFC + 150W Metal Box · Soft Switching · ITE &amp; Medical Safety</b>							
SNP-B155	18V / 8.3A / 10.7A				90 ~ 264VAC	EN55022 B	3.94" x 7.48" x 1.61"
SNP-B157	12V / 12.5A / 16A				90 ~ 264VAC	EN55022 B	3.94" x 7.48" x 1.61"
SNP-B158	15V / 10A / 13A				90 ~ 264VAC	EN55022 B	3.94" x 7.48" x 1.61"
SNP-B159	24V / 6.5A / 8A				90 ~ 264VAC	EN55022 B	3.94" x 7.48" x 1.61"

Get 4-page product datasheet through direct link on website

# Standard Products List

MODEL	OUTPUT(Voltage/Rated Load/Peak Load)				INPUT	EMI	SIZE(WxLxH)
	I	II	III	IV			
<b>PFC + 150W Metal Box • Soft Switching • Cost Effective • ITE Safety</b>							
SNP-C157	12V / 12.5A / 19A				85 ~ 264VAC	EN55022 B, EN55011B	3.74" x 7.83" x 1.5"
SNP-C158	15V / 10A / 15A				85 ~ 264VAC	EN55022 B, EN55011B	3.74" x 7.83" x 1.5"
SNP-C159	24V / 6.5A / 10A				85 ~ 264VAC	EN55022 B, EN55011B	3.74" x 7.83" x 1.5"
SNP-C15T	48V / 3.2A / 5A				85 ~ 264VAC	EN55022 B, EN55011B	3.74" x 7.83" x 1.5"
SNP-C153	5V / 12A / 18A	12V / 6A / 9A			85 ~ 264VAC	EN55022 B, EN55011B	3.74" x 7.83" x 1.5"
SNP-C15A	5V / 8A / 12A	24V / 4A / 6A			85 ~ 264VAC	EN55022 B, EN55011B	3.74" x 7.83" x 1.5"
SNP-C150	5V / 12A / 20A	12V / 5A / 10A	-12V / 0.5A	-5V / 1A	85 ~ 264VAC	EN55022 B, EN55011B	3.74" x 7.83" x 1.5"
SNP-C154	5V / 11A / 20A	15V / 4A / 8A	-15V / 0.5A	-5V / 1A	85 ~ 264VAC	EN55022 B, EN55011B	3.74" x 7.83" x 1.5"
SNP-C15F	5V / 6A / 10A	12V / 3A / 6A	24V / 2.5A / 5A	-12V / 0.5A	85 ~ 264VAC	EN55022 B, EN55011B	3.74" x 7.83" x 1.5"
<b>PFC + 150W U-Shaped Case • Soft Switching • ITE &amp; Medical Safety</b>							
SNP-Z151	5V / 10A	12V / 7A / 15A	-12V / 0.5A		90 ~ 264VAC	EN55022 B, EN55011 B	3.8" x 6.8" x 1.5"
SNP-Z15E	3.3V / 10A	5V / 8A	12V / 3.5A	-12V / 0.5A	90 ~ 264VAC	EN55022 B, EN55011 B	3.8" x 6.8" x 1.5"
SNP-Z153	5V / 10A	12V / 7A / 15A			90 ~ 264VAC	EN55022 B, EN55011 B	3.8" x 6.8" x 1.5"
SNP-Z156	5V / 28A				90 ~ 264VAC	EN55022 B, EN55011 B	3.8" x 6.8" x 1.5"
SNP-Z157	12V / 12A / 17.5A	5V / 2A			90 ~ 264VAC	EN55022 B, EN55011 B	3.8" x 6.8" x 1.5"
SNP-Z157-1	12V / 13A / 17.5A				90 ~ 264VAC	EN55022 B, EN55011 B	3.8" x 6.8" x 1.5"
SNP-Z158	15V / 9.6A / 14A	5V / 2A			90 ~ 264VAC	EN55022 B, EN55011 B	3.8" x 6.8" x 1.5"
SNP-Z158-1	15V / 10A / 14A				90 ~ 264VAC	EN55022 B, EN55011 B	3.8" x 6.8" x 1.5"
SNP-Z159	24V / 6A / 8.8A	5V / 2A			90 ~ 264VAC	EN55022 B, EN55011 B	3.8" x 6.8" x 1.5"
SNP-Z159-1	24V / 6.5A / 8.8A				90 ~ 264VAC	EN55022 B, EN55011 B	3.8" x 6.8" x 1.5"
SNP-Z15T	48V / 3.2A / 4.6A				90 ~ 264VAC	EN55022 B, EN55011 B	3.8" x 6.8" x 1.5"
SNP-Z15F	5V / 8A	24V / 3A / 7A	12V / 2A	-12V / 0.5A	90 ~ 264VAC	EN55022 B, EN55011 B	3.8" x 6.8" x 1.5"
<b>154W Open Frame • Ultra Slim Type • ITE &amp; 3<sup>rd</sup> Ed. Medical Safety</b>							
SNP-P157 -S	12V / 12A / 18A	5Vsb / 2A			90 ~ 264VAC	EN55022 B, EN61000-3-3	3" x 5" x 1.07"
SNP-P158 -S	15V / 9.6A / 14.4A	5Vsb / 2A			90 ~ 264VAC	EN55022 B, EN61000-3-3	3" x 5" x 1.07"
SNP-P155 -S	18V / 8A / 12A	5Vsb / 2A			90 ~ 264VAC	EN55022 B, EN61000-3-3	3" x 5" x 1.07"
SNP-P159 -S	24V / 6A / 9A	5Vsb / 2A			90 ~ 264VAC	EN55022 B, EN61000-3-3	3" x 5" x 1.07"
SNP-P15G-S	28V / 5.1A / 7.7A	5Vsb / 2A			90 ~ 264VAC	EN55022 B, EN61000-3-3	3" x 5" x 1.07"
SNP-P15J -S	36V / 4A / 6A	5Vsb / 2A			90 ~ 264VAC	EN55022 B, EN61000-3-3	3" x 5" x 1.07"
SNP-P15T -S	48V / 3A / 4.5A	5Vsb / 2A			90 ~ 264VAC	EN55022 B, EN61000-3-3	3" x 5" x 1.07"
<b>PFC + 160W Open Frame • Soft Switching • High Efficiency • Green Power • ITE Safety</b>							
SNP-G167	12V / 13.3A / 26.6A				90 ~ 264VAC	EN55022 B, EN61000-3-3	3" x 5" x 1.44"
SNP-G168	15V / 10.66A / 21.3A				90 ~ 264VAC	EN55022 B, EN61000-3-3	3" x 5" x 1.44"
SNP-G165	18V / 8.88A / 17.8A				90 ~ 264VAC	EN55022 B, EN61000-3-3	3" x 5" x 1.44"
SNP-G169	24V / 6.66A / 13.3A				90 ~ 264VAC	EN55022 B, EN61000-3-3	3" x 5" x 1.44"
SNP-G16G	28V / 5.7A / 11.4A				90 ~ 264VAC	EN55022 B, EN61000-3-3	3" x 5" x 1.44"
SNP-G16J	36V / 4.45A / 8.9A				90 ~ 264VAC	EN55022 B, EN61000-3-3	3" x 5" x 1.44"
SNP-G16T	48V / 3.35A / 6.67A				90 ~ 264VAC	EN55022 B, EN61000-3-3	3" x 5" x 1.44"
<b>PFC + 160W Open Frame • without Burst Sound • Soft Switching • High Efficiency • Green Power • ITE Safety</b>							
SNP-G167 -A	12V / 13.3A / 26.6A				90 ~ 264VAC	EN55022 B, EN61000-3-3	3" x 5" x 1.44"
SNP-G168 -A	15V / 10.66A / 21.3A				90 ~ 264VAC	EN55022 B, EN61000-3-3	3" x 5" x 1.44"
SNP-G165 -A	18V / 8.88A / 17.8A				90 ~ 264VAC	EN55022 B, EN61000-3-3	3" x 5" x 1.44"
SNP-G169 -A	24V / 6.66A / 13.3A				90 ~ 264VAC	EN55022 B, EN61000-3-3	3" x 5" x 1.44"
SNP-G16G-A	28V / 5.7A / 11.4A				90 ~ 264VAC	EN55022 B, EN61000-3-3	3" x 5" x 1.44"
SNP-G16J -A	36V / 4.45A / 8.9A				90 ~ 264VAC	EN55022 B, EN61000-3-3	3" x 5" x 1.44"
SNP-G16T-A	48V / 3.35A / 6.67A				90 ~ 264VAC	EN55022 B, EN61000-3-3	3" x 5" x 1.44"
<b>PFC + 160W Metal Box • Soft Switching • High Efficiency • Green Power • ITE Safety</b>							
SNP-G167 -C	12V / 13.3A / 26.6A				90 ~ 264VAC	EN55022 B, EN61000-3-3	3.3" x 5" x 1.7"
SNP-G168 -C	15V / 10.66A / 21.3A				90 ~ 264VAC	EN55022 B, EN61000-3-3	3.3" x 5" x 1.7"
SNP-G165 -C	18V / 8.88A / 17.8A				90 ~ 264VAC	EN55022 B, EN61000-3-3	3.3" x 5" x 1.7"
SNP-G169 -C	24V / 6.66A / 13.3A				90 ~ 264VAC	EN55022 B, EN61000-3-3	3.3" x 5" x 1.7"
SNP-G16G-C	28V / 5.7A / 11.4A				90 ~ 264VAC	EN55022 B, EN61000-3-3	3.3" x 5" x 1.7"
SNP-G16J -C	36V / 4.45A / 8.9A				90 ~ 264VAC	EN55022 B, EN61000-3-3	3.3" x 5" x 1.7"
SNP-G16T-C	48V / 3.35A / 6.67A				90 ~ 264VAC	EN55022 B, EN61000-3-3	3.3" x 5" x 1.7"

Get 4-page product datasheet through direct link on website

# Standard Products List

MODEL	OUTPUT RAIL	LOAD		INPUT	EMI	SIZE(WxLxH)
		RATED	PEAK			
<b>PFC + 160W Metal Box · without Burst Sound · Soft Switching · High Efficiency · Green Power · 3.1 Ed. Medical Safety</b>						
SNP-G167 -C5	12V	13.3A	26.6A	90 ~ 264VAC	EN55022 B, EN61000-3-3	3.3" x 5" x 1.7"
SNP-G168 -C5	15V	10.66A	21.3A	90 ~ 264VAC	EN55022 B, EN61000-3-3	3.3" x 5" x 1.7"
SNP-G165 -C5	18V	8.88A	17.8A	90 ~ 264VAC	EN55022 B, EN61000-3-3	3.3" x 5" x 1.7"
SNP-G169 -C5	24V	6.66A	13.3A	90 ~ 264VAC	EN55022 B, EN61000-3-3	3.3" x 5" x 1.7"
SNP-G16G -C5	28V	5.7A	11.4A	90 ~ 264VAC	EN55022 B, EN61000-3-3	3.3" x 5" x 1.7"
SNP-G16J -C5	36V	4.45A	8.9A	90 ~ 264VAC	EN55022 B, EN61000-3-3	3.3" x 5" x 1.7"
SNP-G16T -C5	48V	3.35A	6.67A	90 ~ 264VAC	EN55022 B, EN61000-3-3	3.3" x 5" x 1.7"
<b>PFC + 160W Metal Box · without Burst Sound · Soft Switching · High Efficiency · Green Power · ITE Safety</b>						
SNP-G167 -CA	12V	13.3A	26.6A	90 ~ 264VAC	EN55022 B, EN61000-3-3	3.3" x 5" x 1.7"
SNP-G168 -CA	15V	10.66A	21.3A	90 ~ 264VAC	EN55022 B, EN61000-3-3	3.3" x 5" x 1.7"
SNP-G165 -CA	18V	8.88A	17.8A	90 ~ 264VAC	EN55022 B, EN61000-3-3	3.3" x 5" x 1.7"
SNP-G169 -CA	24V	6.66A	13.3A	90 ~ 264VAC	EN55022 B, EN61000-3-3	3.3" x 5" x 1.7"
SNP-G16G -CA	28V	5.7A	11.4A	90 ~ 264VAC	EN55022 B, EN61000-3-3	3.3" x 5" x 1.7"
SNP-G16J -CA	36V	4.45A	8.9A	90 ~ 264VAC	EN55022 B, EN61000-3-3	3.3" x 5" x 1.7"
SNP-G16T -CA	48V	3.35A	6.67A	90 ~ 264VAC	EN55022 B, EN61000-3-3	3.3" x 5" x 1.7"
<b>PFC + 160W Metal Box · Soft Switching · High Efficiency · Green Power · 3.1 Ed. Medical Safety</b>						
SNP-G167 -CM	12V	13.3A	26.6A	90 ~ 264VAC	EN55022 B, EN61000-3-3	3.3" x 5" x 1.7"
SNP-G168 -CM	15V	10.66A	21.3A	90 ~ 264VAC	EN55022 B, EN61000-3-3	3.3" x 5" x 1.7"
SNP-G165 -CM	18V	8.88A	17.8A	90 ~ 264VAC	EN55022 B, EN61000-3-3	3.3" x 5" x 1.7"
SNP-G169 -CM	24V	6.66A	13.3A	90 ~ 264VAC	EN55022 B, EN61000-3-3	3.3" x 5" x 1.7"
SNP-G16G -CM	28V	5.7A	11.4A	90 ~ 264VAC	EN55022 B, EN61000-3-3	3.3" x 5" x 1.7"
SNP-G16J -CM	36V	4.45A	8.9A	90 ~ 264VAC	EN55022 B, EN61000-3-3	3.3" x 5" x 1.7"
SNP-G16T -CM	48V	3.35A	6.67A	90 ~ 264VAC	EN55022 B, EN61000-3-3	3.3" x 5" x 1.7"
<b>PFC + 160W Open Frame · Soft Switching · High Efficiency · Green Power · 3.1 Ed. Medical Safety</b>						
SNP-G167 -M	12V	13.3A	26.6A	90 ~ 264VAC	EN55022 B, EN61000-3-3	3" x 5" x 1.44"
SNP-G168 -M	15V	10.66A	21.3A	90 ~ 264VAC	EN55022 B, EN61000-3-3	3" x 5" x 1.44"
SNP-G165 -M	18V	8.88A	17.8A	90 ~ 264VAC	EN55022 B, EN61000-3-3	3" x 5" x 1.44"
SNP-G169 -M	24V	6.66A	13.3A	90 ~ 264VAC	EN55022 B, EN61000-3-3	3" x 5" x 1.44"
SNP-G16G -M	28V	5.7A	11.4A	90 ~ 264VAC	EN55022 B, EN61000-3-3	3" x 5" x 1.44"
SNP-G16J -M	36V	4.45A	8.9A	90 ~ 264VAC	EN55022 B, EN61000-3-3	3" x 5" x 1.44"
SNP-G16T -M	48V	3.35A	6.67A	90 ~ 264VAC	EN55022 B, EN61000-3-3	3" x 5" x 1.44"
<b>PFC + 160W Open Frame · without Burst Sound · Soft Switching · High Efficiency · Green Power · 3.1 Ed. Medical Safety</b>						
SNP-G167 -MA	12V	13.3A	26.6A	90 ~ 264VAC	EN55022 B, EN61000-3-3	3" x 5" x 1.44"
SNP-G168 -MA	15V	10.66A	21.3A	90 ~ 264VAC	EN55022 B, EN61000-3-3	3" x 5" x 1.44"
SNP-G165 -MA	18V	8.88A	17.8A	90 ~ 264VAC	EN55022 B, EN61000-3-3	3" x 5" x 1.44"
SNP-G169 -MA	24V	6.66A	13.3A	90 ~ 264VAC	EN55022 B, EN61000-3-3	3" x 5" x 1.44"
SNP-G16G -MA	28V	5.7A	11.4A	90 ~ 264VAC	EN55022 B, EN61000-3-3	3" x 5" x 1.44"
SNP-G16J -MA	36V	4.45A	8.9A	90 ~ 264VAC	EN55022 B, EN61000-3-3	3" x 5" x 1.44"
SNP-G16T -MA	48V	3.35A	6.67A	90 ~ 264VAC	EN55022 B, EN61000-3-3	3" x 5" x 1.44"
<b>PFC + 160W U-Shaped Case · Soft Switching · High Efficiency · Green Power · ITE Safety</b>						
SNP-G167 -U	12V	13.3A	26.6A	90 ~ 264VAC	EN55022 B, EN61000-3-3	3.3" x 5" x 1.7"
SNP-G168 -U	15V	10.66A	21.3A	90 ~ 264VAC	EN55022 B, EN61000-3-3	3.3" x 5" x 1.7"
SNP-G165 -U	18V	8.88A	17.8A	90 ~ 264VAC	EN55022 B, EN61000-3-3	3.3" x 5" x 1.7"
SNP-G169 -U	24V	6.66A	13.3A	90 ~ 264VAC	EN55022 B, EN61000-3-3	3.3" x 5" x 1.7"
SNP-G16G -U	28V	5.7A	11.4A	90 ~ 264VAC	EN55022 B, EN61000-3-3	3.3" x 5" x 1.7"
SNP-G16J -U	36V	4.45A	8.9A	90 ~ 264VAC	EN55022 B, EN61000-3-3	3.3" x 5" x 1.7"
SNP-G16T -U	48V	3.35A	6.67A	90 ~ 264VAC	EN55022 B, EN61000-3-3	3.3" x 5" x 1.7"
<b>PFC + 160W U-Shaped Case · without Burst Sound · Soft Switching · High Efficiency · Green Power · 3.1 Ed. Medical Safety</b>						
SNP-G167 -U5	12V	13.3A	26.6A	90 ~ 264VAC	EN55022 B, EN61000-3-3	3.3" x 5" x 1.7"
SNP-G168 -U5	15V	10.66A	21.3A	90 ~ 264VAC	EN55022 B, EN61000-3-3	3.3" x 5" x 1.7"
SNP-G165 -U5	18V	8.88A	17.8A	90 ~ 264VAC	EN55022 B, EN61000-3-3	3.3" x 5" x 1.7"
SNP-G169 -U5	24V	6.66A	13.3A	90 ~ 264VAC	EN55022 B, EN61000-3-3	3.3" x 5" x 1.7"
SNP-G16G -U5	28V	5.7A	11.4A	90 ~ 264VAC	EN55022 B, EN61000-3-3	3.3" x 5" x 1.7"
SNP-G16J -U5	36V	4.45A	8.9A	90 ~ 264VAC	EN55022 B, EN61000-3-3	3.3" x 5" x 1.7"
SNP-G16T -U5	48V	3.35A	6.67A	90 ~ 264VAC	EN55022 B, EN61000-3-3	3.3" x 5" x 1.7"

Get 4-page product datasheet through direct link on website



# Standard Products List

MODEL	OUTPUT(Voltage/Rated Load/Peak Load)		INPUT	EMI	SIZE(WxLxH)
	I	II			
<b>PFC + 160W U-Shaped Case · without Burst Sound · Soft Switching · High Efficiency · Green Power · ITE Safety</b>					
SNP-G167-UA	12V / 13.3A / 26.6A		90 ~ 264VAC	EN55022 B, EN61000-3-3	3.3" x 5" x 1.7"
SNP-G168-UA	15V / 10.66A / 21.3A		90 ~ 264VAC	EN55022 B, EN61000-3-3	3.3" x 5" x 1.7"
SNP-G165-UA	18V / 8.88A / 17.8A		90 ~ 264VAC	EN55022 B, EN61000-3-3	3.3" x 5" x 1.7"
SNP-G169-UA	24V / 6.66A / 13.3A		90 ~ 264VAC	EN55022 B, EN61000-3-3	3.3" x 5" x 1.7"
SNP-G16G-UA	28V / 5.7A / 11.4A		90 ~ 264VAC	EN55022 B, EN61000-3-3	3.3" x 5" x 1.7"
SNP-G16J-UA	36V / 4.45A / 8.9A		90 ~ 264VAC	EN55022 B, EN61000-3-3	3.3" x 5" x 1.7"
SNP-G16T-UA	48V / 3.35A / 6.67A		90 ~ 264VAC	EN55022 B, EN61000-3-3	3.3" x 5" x 1.7"
<b>PFC + 160W U-Shaped Case · Soft Switching · High Efficiency · Green Power · 3.1 Ed. Medical Safety</b>					
SNP-G167-UM	12V / 13.3A / 26.6A		90 ~ 264VAC	EN55022 B, EN61000-3-3	3.3" x 5" x 1.7"
SNP-G168-UM	15V / 10.66A / 21.3A		90 ~ 264VAC	EN55022 B, EN61000-3-3	3.3" x 5" x 1.7"
SNP-G165-UM	18V / 8.88A / 17.8A		90 ~ 264VAC	EN55022 B, EN61000-3-3	3.3" x 5" x 1.7"
SNP-G169-UM	24V / 6.66A / 13.3A		90 ~ 264VAC	EN55022 B, EN61000-3-3	3.3" x 5" x 1.7"
SNP-G16G-UM	28V / 5.7A / 11.4A		90 ~ 264VAC	EN55022 B, EN61000-3-3	3.3" x 5" x 1.7"
SNP-G16J-UM	36V / 4.45A / 8.9A		90 ~ 264VAC	EN55022 B, EN61000-3-3	3.3" x 5" x 1.7"
SNP-G16T-UM	48V / 3.35A / 6.67A		90 ~ 264VAC	EN55022 B, EN61000-3-3	3.3" x 5" x 1.7"
<b>200W Adapter · Green Power · ITE Safety</b>					
SNP-A207	12V / 15A / 33.4A		90 ~ 264VAC	CISPR22 B	103 x 210 x 52 (mm)
SNP-A208	15V / 12A / 21.6A		90 ~ 264VAC	CISPR22 B	103 x 210 x 52 (mm)
SNP-A205	18V / 10A / 18.3A		90 ~ 264VAC	CISPR22 B	103 x 210 x 52 (mm)
SNP-A209	24V / 8.4A / 14A		90 ~ 264VAC	CISPR22 B	103 x 210 x 52 (mm)
SNP-A20T	48V / 4.2A / 6.9A		90 ~ 264VAC	CISPR22 B	103 x 210 x 52 (mm)
<b>200W Adapter · Green Power · 3<sup>rd</sup> Ed. Medical Safety</b>					
SNP-A207-M	12V / 15A / 33.4A		90 ~ 264VAC	CISPR22 B	103 x 210 x 52 (mm)
SNP-A208-M	15V / 12A / 21.6A		90 ~ 264VAC	CISPR22 B	103 x 210 x 52 (mm)
SNP-A205-M	18V / 10A / 18.3A		90 ~ 264VAC	CISPR22 B	103 x 210 x 52 (mm)
SNP-A209-M	24V / 8.4A / 14A		90 ~ 264VAC	CISPR22 B	103 x 210 x 52 (mm)
SNP-A20T-M	48V / 4.2A / 6.9A		90 ~ 264VAC	CISPR22 B	103 x 210 x 52 (mm)
<b>200W Adapter · High Efficiency · 3<sup>rd</sup> Ed. Medical Safety</b>					
SNP-A207-S	12V / 15A / 28A	5Vsb / 0.5A / 1A	90 ~ 264VAC	CISPR22 B	103 x 210 x 52 (mm)
SNP-A209-S	24V / 8.4A / 14A	5Vsb / 0.5A / 1A	90 ~ 264VAC	CISPR22 B	103 x 210 x 52 (mm)
<b>PFC + 200W Metal Box · Soft Switching · ITE &amp; Medical Safety</b>					
SNP-B205	18V / 11A / 16.5A		90 ~ 264VAC	EN55022 B	3.94" x 8.27" x 1.65"
SNP-B207	12V / 16.7A / 25A		90 ~ 264VAC	EN55022 B	3.94" x 8.27" x 1.65"
SNP-B208	15V / 13.3A / 20A		90 ~ 264VAC	EN55022 B	3.94" x 8.27" x 1.65"
SNP-B209	24V / 8.3A / 10A		90 ~ 264VAC	EN55022 B	3.94" x 8.27" x 1.65"
<b>200W Adapter · DoE Level VI Eco-design · ITE &amp; Medical Safety</b>					
SNP-E207	12V / 16.6A / 25A		85 ~ 264VAC	CISPR22 B	99 x 180 x 52 (mm)
SNP-E209	24V / 8.3A / 12.5A		85 ~ 264VAC	CISPR22 B	99 x 180 x 52 (mm)
<b>200W Adapter · DoE Level VI Eco-design · for Home Healthcare · ITE &amp; Medical Safety</b>					
SNP-E207-H	12V / 16.6A / 25A		85 ~ 264VAC	CISPR22 B	99 x 180 x 52 (mm)
SNP-E209-H	24V / 8.3A / 12.5A		85 ~ 264VAC	CISPR22 B	99 x 180 x 52 (mm)
<b>PFC + 200W Open Frame · Soft Switching · High Efficiency · High Density · Green Power · ITE Safety</b>					
SNP-G207	12V / 16.5A / 33A		90 ~ 264VAC	EN55022 B, EN61000-3-3	3" x 5" x 1.44"
SNP-G208	15V / 12A / 22.5A		90 ~ 264VAC	EN55022 B, EN61000-3-3	3" x 5" x 1.44"
SNP-G205	18V / 11.1A / 23.3A		90 ~ 264VAC	EN55022 B, EN61000-3-3	3" x 5" x 1.44"
SNP-G209	24V / 8.4A / 16.7A		90 ~ 264VAC	EN55022 B, EN61000-3-3	3" x 5" x 1.44"
SNP-G20G	28V / 7.2A / 13A		90 ~ 264VAC	EN55022 B, EN61000-3-3	3" x 5" x 1.44"
SNP-G20J	36V / 5.6A / 11A		90 ~ 264VAC	EN55022 B, EN61000-3-3	3" x 5" x 1.44"
SNP-G20T	48V / 4.2A / 8.4A		90 ~ 264VAC	EN55022 B, EN61000-3-3	3" x 5" x 1.44"
<b>PFC + 200W Open Frame · without Burst Sound · Soft Switching · High Efficiency · High Density · Green Power · ITE Safety</b>					
SNP-G207-A	12V / 16.5A / 33A		90 ~ 264VAC	EN55022 B, EN61000-3-3	3" x 5" x 1.44"
SNP-G208-A	15V / 12A / 22.5A		90 ~ 264VAC	EN55022 B, EN61000-3-3	3" x 5" x 1.44"
SNP-G205-A	18V / 11.1A / 23.3A		90 ~ 264VAC	EN55022 B, EN61000-3-3	3" x 5" x 1.44"
SNP-G209-A	24V / 8.4A / 16.7A		90 ~ 264VAC	EN55022 B, EN61000-3-3	3" x 5" x 1.44"
SNP-G20G-A	28V / 7.2A / 13A		90 ~ 264VAC	EN55022 B, EN61000-3-3	3" x 5" x 1.44"
SNP-G20J-A	36V / 5.6A / 11A		90 ~ 264VAC	EN55022 B, EN61000-3-3	3" x 5" x 1.44"
SNP-G20T-A	48V / 4.2A / 8.4A		90 ~ 264VAC	EN55022 B, EN61000-3-3	3" x 5" x 1.44"

Get 4-page product datasheet through direct link on website

# Standard Products List

MODEL	OUTPUT RAIL	LOAD		INPUT	EMI	SIZE(WxLxH)
		RATED	PEAK			
<b>PFC + 200W Metal Box · Soft Switching · High Efficiency · High Density · Green Power · ITE Safety</b>						
SNP-G207 -C	12V	15A	33A	90 ~ 264VAC	EN55022 B, EN61000-3-3	3.3" x 5" x 1.7"
SNP-G208 -C	15V	12A	22.5A	90 ~ 264VAC	EN55022 B, EN61000-3-3	3.3" x 5" x 1.7"
SNP-G205 -C	18V	10A	22.3A	90 ~ 264VAC	EN55022 B, EN61000-3-3	3.3" x 5" x 1.7"
SNP-G209 -C	24V	7.5A	16.7A	90 ~ 264VAC	EN55022 B, EN61000-3-3	3.3" x 5" x 1.7"
SNP-G20G -C	28V	6.42A	13A	90 ~ 264VAC	EN55022 B, EN61000-3-3	3.3" x 5" x 1.7"
SNP-G20J -C	36V	5A	11A	90 ~ 264VAC	EN55022 B, EN61000-3-3	3.3" x 5" x 1.7"
SNP-G20T -C	48V	3.75A	8.4A	90 ~ 264VAC	EN55022 B, EN61000-3-3	3.3" x 5" x 1.7"
<b>PFC + 200W Metal Box · without Burst Sound · Soft Switching · High Efficiency · High Density · Green Power · 3.1 Ed. Medical Safety</b>						
SNP-G207 -C5	12V	15A	33A	90 ~ 264VAC	EN55022 B, EN61000-3-3	3.3" x 5" x 1.7"
SNP-G208 -C5	15V	12A	22.5A	90 ~ 264VAC	EN55022 B, EN61000-3-3	3.3" x 5" x 1.7"
SNP-G205 -C5	18V	10A	22.3A	90 ~ 264VAC	EN55022 B, EN61000-3-3	3.3" x 5" x 1.7"
SNP-G209 -C5	24V	7.5A	16.7A	90 ~ 264VAC	EN55022 B, EN61000-3-3	3.3" x 5" x 1.7"
SNP-G20G -C5	28V	6.42A	13A	90 ~ 264VAC	EN55022 B, EN61000-3-3	3.3" x 5" x 1.7"
SNP-G20J -C5	36V	5A	11A	90 ~ 264VAC	EN55022 B, EN61000-3-3	3.3" x 5" x 1.7"
SNP-G20T -C5	48V	3.75A	8.4A	90 ~ 264VAC	EN55022 B, EN61000-3-3	3.3" x 5" x 1.7"
<b>PFC + 200W Metal Box · without Burst Sound · Soft Switching · High Efficiency · High Density · Green Power · ITE Safety</b>						
SNP-G207 -CA	12V	15A	33A	90 ~ 264VAC	EN55022 B, EN61000-3-3	3.3" x 5" x 1.7"
SNP-G208 -CA	15V	12A	22.5A	90 ~ 264VAC	EN55022 B, EN61000-3-3	3.3" x 5" x 1.7"
SNP-G205 -CA	18V	10A	22.3A	90 ~ 264VAC	EN55022 B, EN61000-3-3	3.3" x 5" x 1.7"
SNP-G209 -CA	24V	7.5A	16.7A	90 ~ 264VAC	EN55022 B, EN61000-3-3	3.3" x 5" x 1.7"
SNP-G20G -CA	28V	6.42A	13A	90 ~ 264VAC	EN55022 B, EN61000-3-3	3.3" x 5" x 1.7"
SNP-G20J -CA	36V	5A	11A	90 ~ 264VAC	EN55022 B, EN61000-3-3	3.3" x 5" x 1.7"
SNP-G20T -CA	48V	3.75A	8.4A	90 ~ 264VAC	EN55022 B, EN61000-3-3	3.3" x 5" x 1.7"
<b>PFC + 200W Metal Box · Soft Switching · High Efficiency · High Density · Green Power · 3.1 Ed. Medical Safety</b>						
SNP-G207 -CM	12V	15A	33A	90 ~ 264VAC	EN55022 B, EN61000-3-3	3.3" x 5" x 1.7"
SNP-G208 -CM	15V	12A	22.5A	90 ~ 264VAC	EN55022 B, EN61000-3-3	3.3" x 5" x 1.7"
SNP-G205 -CM	18V	10A	22.3A	90 ~ 264VAC	EN55022 B, EN61000-3-3	3.3" x 5" x 1.7"
SNP-G209 -CM	24V	7.5A	16.7A	90 ~ 264VAC	EN55022 B, EN61000-3-3	3.3" x 5" x 1.7"
SNP-G20G -CM	28V	6.42A	13A	90 ~ 264VAC	EN55022 B, EN61000-3-3	3.3" x 5" x 1.7"
SNP-G20J -CM	36V	5A	11A	90 ~ 264VAC	EN55022 B, EN61000-3-3	3.3" x 5" x 1.7"
SNP-G20T -CM	48V	3.75A	8.4A	90 ~ 264VAC	EN55022 B, EN61000-3-3	3.3" x 5" x 1.7"
<b>PFC + 200W Open Frame · Soft Switching · High Efficiency · High Density · Green Power · 3.1 Ed. Medical Safety</b>						
SNP-G207 -M	12V	16.5A	33A	90 ~ 264VAC	EN55022 B, EN61000-3-3	3" x 5" x 1.44"
SNP-G208 -M	15V	12A	22.5A	90 ~ 264VAC	EN55022 B, EN61000-3-3	3" x 5" x 1.44"
SNP-G205 -M	18V	11.1A	23.3A	90 ~ 264VAC	EN55022 B, EN61000-3-3	3" x 5" x 1.44"
SNP-G209 -M	24V	8.4A	16.7A	90 ~ 264VAC	EN55022 B, EN61000-3-3	3" x 5" x 1.44"
SNP-G20G -M	28V	7.2A	13A	90 ~ 264VAC	EN55022 B, EN61000-3-3	3" x 5" x 1.44"
SNP-G20J -M	36V	5.6A	11A	90 ~ 264VAC	EN55022 B, EN61000-3-3	3" x 5" x 1.44"
SNP-G20T -M	48V	4.2A	8.4A	90 ~ 264VAC	EN55022 B, EN61000-3-3	3" x 5" x 1.44"
<b>PFC + 200W Open Frame · without Burst Sound · Soft Switching · High Efficiency · High Density · Green Power · 3.1 Ed. Medical Safety</b>						
SNP-G207 -MA	12V	16.5A	33A	90 ~ 264VAC	EN55022 B, EN61000-3-3	3" x 5" x 1.44"
SNP-G208 -MA	15V	12A	22.5A	90 ~ 264VAC	EN55022 B, EN61000-3-3	3" x 5" x 1.44"
SNP-G205 -MA	18V	11.1A	23.3A	90 ~ 264VAC	EN55022 B, EN61000-3-3	3" x 5" x 1.44"
SNP-G209 -MA	24V	8.4A	16.7A	90 ~ 264VAC	EN55022 B, EN61000-3-3	3" x 5" x 1.44"
SNP-G20G -MA	28V	7.2A	13A	90 ~ 264VAC	EN55022 B, EN61000-3-3	3" x 5" x 1.44"
SNP-G20J -MA	36V	5.6A	11A	90 ~ 264VAC	EN55022 B, EN61000-3-3	3" x 5" x 1.44"
SNP-G20T -MA	48V	4.2A	8.4A	90 ~ 264VAC	EN55022 B, EN61000-3-3	3" x 5" x 1.44"
<b>PFC + 200W U-Shaped Case · Soft Switching · High Efficiency · High Density · Green Power · ITE Safety</b>						
SNP-G207 -U	12V	16.5A	33A	90 ~ 264VAC	EN55022 B, EN61000-3-3	3" x 5" x 1.7"
SNP-G208 -U	15V	12A	22.5A	90 ~ 264VAC	EN55022 B, EN61000-3-3	3" x 5" x 1.7"
SNP-G205 -U	18V	11.1A	22.3A	90 ~ 264VAC	EN55022 B, EN61000-3-3	3" x 5" x 1.7"
SNP-G209 -U	24V	8.4A	16.7A	90 ~ 264VAC	EN55022 B, EN61000-3-3	3" x 5" x 1.7"
SNP-G20G -U	28V	7.2A	13A	90 ~ 264VAC	EN55022 B, EN61000-3-3	3" x 5" x 1.7"
SNP-G20J -U	36V	5.6A	11A	90 ~ 264VAC	EN55022 B, EN61000-3-3	3" x 5" x 1.7"
SNP-G20T -U	48V	4.2A	8.4A	90 ~ 264VAC	EN55022B, EN61000-3-3	3" x 5" x 1.7"

Get 4-page product datasheet through direct link on website

# Standard Products List

MODEL	OUTPUT(Voltage/Rated Load/Peak Load)			INPUT	EMI	SIZE(WxLxH)
	I	II	III			
<b>PFC + 200W U-Shaped Case · without Burst Sound · Soft Switching · High Efficiency · High Density · Green Power · ITE / 3.1 Ed. Medical (5) Safety</b>						
SNP-G207 -U5	12V / 16.5A / 33A			90 ~ 264VAC	EN55022 B, EN61000-3-3	3" x 5" x 1.7"
SNP-G208 -U5	15V / 12A / 22.5A			90 ~ 264VAC	EN55022 B, EN61000-3-3	3" x 5" x 1.7"
SNP-G205 -U5	18V / 11.1A / 22.3A			90 ~ 264VAC	EN55022 B, EN61000-3-3	3" x 5" x 1.7"
SNP-G209 -U5	24V / 8.4A / 16.7A			90 ~ 264VAC	EN55022 B, EN61000-3-3	3" x 5" x 1.7"
SNP-G20G -U5	28V / 7.2A / 13A			90 ~ 264VAC	EN55022 B, EN61000-3-3	3" x 5" x 1.7"
SNP-G20J -U5	36V / 5.6A / 11A			90 ~ 264VAC	EN55022 B, EN61000-3-3	3" x 5" x 1.7"
SNP-G20T -U5	48V / 4.2A / 8.4A			90 ~ 264VAC	EN55022 B, EN61000-3-3	3" x 5" x 1.7"
<b>PFC + 200W U-Shaped Case · without Burst Sound · Soft Switching · High Efficiency · High Density · Green Power · ITE / 3.1 Ed. Medical (5) Safety</b>						
SNP-G207 -UA	12V / 16.5A / 33A			90 ~ 264VAC	EN55022 B, EN61000-3-3	3" x 5" x 1.7"
SNP-G208 -UA	15V / 12A / 22.5A			90 ~ 264VAC	EN55022 B, EN61000-3-3	3" x 5" x 1.7"
SNP-G205 -UA	18V / 11.1A / 22.3A			90 ~ 264VAC	EN55022 B, EN61000-3-3	3" x 5" x 1.7"
SNP-G209 -UA	24V / 8.4A / 16.7A			90 ~ 264VAC	EN55022 B, EN61000-3-3	3" x 5" x 1.7"
SNP-G20G -UA	28V / 7.2A / 13A			90 ~ 264VAC	EN55022 B, EN61000-3-3	3" x 5" x 1.7"
SNP-G20J -UA	36V / 5.6A / 11A			90 ~ 264VAC	EN55022 B, EN61000-3-3	3" x 5" x 1.7"
SNP-G20T -UA	48V / 4.2A / 8.4A			90 ~ 264VAC	EN55022 B, EN61000-3-3	3" x 5" x 1.7"
<b>PFC + 200W U-Shaped Case · Soft Switching · High Efficiency · High Density · Green Power · 3.1 Ed. Medical Safety</b>						
SNP-G207 -UM	12V / 16.5A / 33A			90 ~ 264VAC	EN55022 B, EN61000-3-3	3" x 5" x 1.7"
SNP-G208 -UM	15V / 12A / 22.5A			90 ~ 264VAC	EN55022 B, EN61000-3-3	3" x 5" x 1.7"
SNP-G205 -UM	18V / 11.1A / 22.3A			90 ~ 264VAC	EN55022 B, EN61000-3-3	3" x 5" x 1.7"
SNP-G209 -UM	24V / 8.4A / 16.7A			90 ~ 264VAC	EN55022 B, EN61000-3-3	3" x 5" x 1.7"
SNP-G20G -UM	28V / 7.2A / 13A			90 ~ 264VAC	EN55022 B, EN61000-3-3	3" x 5" x 1.7"
SNP-G20J -UM	36V / 5.6A / 11A			90 ~ 264VAC	EN55022 B, EN61000-3-3	3" x 5" x 1.7"
SNP-G20T -UM	48V / 4.2A / 8.4A			90 ~ 264VAC	EN55022 B, EN61000-3-3	3" x 5" x 1.7"
<b>PFC + 200W Open Frame · Safety Class II &amp; EMI B · Ultra Slim Type · ITE &amp; 3.1 Ed. Medical Safety</b>						
SNP-P207 -S	12V / 16.66A / 33.3A	5Vsb / 1A		90 ~ 264VAC	EN55022 B, EN61000-3-3	3" x 6" x 1.46"
SNP-P209 -S	24V / 8.33A / 16.66A	5Vsb / 1A		90 ~ 264VAC	EN55022 B, EN61000-3-3	3" x 6" x 1.46"
<b>PFC + 200W Open Frame · Safety Class II &amp; EMI B · Ultra Slim Type · ITE &amp; 3.1 Ed. Medical Safety</b>						
SNP-V207	12V / 16.6A / 30A			90 ~ 264VAC	EN55022 B	3" x 5" x 1.38"
SNP-V209	24V / 8.3A / 15A			90 ~ 264VAC	EN55022 B	3" x 5" x 1.38"
<b>PFC + 200W Metal Box · Safety Class II &amp; EMI B · Ultra Slim Type · ITE &amp; 3.1 Ed. Medical Safety</b> <b>EMS</b>						
SNP-V207 -C	12V / 16.6A / 30A			90 ~ 264VAC	EN61000-4-2,3,4,5,6,8,11	3.3" x 5" x 1.7"
SNP-V209 -C	24V / 8.3A / 15A			90 ~ 264VAC	EN61000-4-2,3,4,5,6,8,11	3.3" x 5" x 1.7"
<b>PFC + 200W U-Shaped Case · Safety Class II &amp; EMI B · Ultra Slim Type · ITE &amp; 3.1 Ed. Medical Safety</b> <b>EMS</b>						
SNP-V207 -U	12V / 16.6A / 30A			90 ~ 264VAC	EN61000-4-2,3,4,5,6,8,11	3.3" x 5" x 1.7"
SNP-V209 -U	24V / 8.3A / 15A			90 ~ 264VAC	EN61000-4-2,3,4,5,6,8,11	3.3" x 5" x 1.7"
<b>PFC + 200W Open Frame · Cost Effective · ITE Safety</b>						
SNP-X207	12V / 16.5A / 31.5A			90 ~ 264VAC	EN55022 B	4" x 7.5" x 1.4"
SNP-X208	15V / 13.3A / 25A			90 ~ 264VAC	EN55022 B	4" x 7.5" x 1.4"
SNP-X205	18V / 11.1A / 21A			90 ~ 264VAC	EN55022 B	4" x 7.5" x 1.4"
SNP-X209	24V / 8.3A / 15.8A			90 ~ 264VAC	EN55022 B	4" x 7.5" x 1.4"
SNP-X20G	30V / 6.6A / 12.6A			90 ~ 264VAC	EN55022 B	4" x 7.5" x 1.4"
SNP-X20J	38V / 5.25A / 10A			90 ~ 264VAC	EN55022 B	4" x 7.5" x 1.4"
SNP-X20T	48V / 4.16A / 7.9A			90 ~ 264VAC	EN55022 B	4" x 7.5" x 1.4"
SNP-X20H	60V / 3.3A / 9.15A			90 ~ 264VAC	EN55022 B	4" x 7.5" x 1.4"
<b>PFC + 200W Open Frame · Cost Effective · 3<sup>rd</sup> Ed. Medical Safety</b>						
SNP-X207 -M	12V / 16.5A / 31.5A			90 ~ 264VAC	EN55022 B	4" x 7.5" x 1.4"
SNP-X208 -M	15V / 13.3A / 25A			90 ~ 264VAC	EN55022 B	4" x 7.5" x 1.4"
SNP-X205 -M	18V / 11.1A / 21A			90 ~ 264VAC	EN55022 B	4" x 7.5" x 1.4"
SNP-X209 -M	24V / 8.3A / 15.8A			90 ~ 264VAC	EN55022 B	4" x 7.5" x 1.4"
SNP-X20G -M	30V / 6.6A / 12.6A			90 ~ 264VAC	EN55022 B	4" x 7.5" x 1.4"
SNP-X20J -M	38V / 5.25A / 10A			90 ~ 264VAC	EN55022 B	4" x 7.5" x 1.4"
SNP-X20T -M	48V / 4.16A / 7.9A			90 ~ 264VAC	EN55022 B	4" x 7.5" x 1.4"
SNP-X20H -M	60V / 3.3A / 9.15A			90 ~ 264VAC	EN55022 B	4" x 7.5" x 1.4"

Get 4-page product datasheet through direct link on website



# Standard Products List

MODEL	OUTPUT(Voltage/Rated Load/Peak Load)				INPUT	EMI	SIZE(WxLxH)
	I	II	III	IV			
<b>PFC + 200W U-Shaped Case · Soft Switching · ITE Safety</b>							
SNP-Z201	5V / 20A	12VA / 6A	12VB / 2A	90 ~ 264VAC		EN55022 B	4.2" x 8" x 1.5"
SNP-Z207	12V / 17A			90 ~ 264VAC		EN55022 B	4.2" x 8" x 1.5"
SNP-Z208	15V / 13.5A			90 ~ 264VAC		EN55022 B	4.2" x 8" x 1.5"
SNP-Z205	18V / 11.3A			90 ~ 264VAC		EN55022 B	4.2" x 8" x 1.5"
SNP-Z209	24V / 8.5A			90 ~ 264VAC		EN55022 B	4.2" x 8" x 1.5"
SNP-Z20T	48V / 4.3A			90 ~ 264VAC		EN55022 B	4.2" x 8" x 1.5"
<b>PFC + 200W U-Shaped Case · Soft Switching · Medical Safety</b>							
SNP-Z207-M	12V / 17A			90 ~ 264VAC		EN55022 B	4.2" x 8" x 1.5"
SNP-Z209-M	24V / 8.5A			90 ~ 264VAC		EN55022 B	4.2" x 8" x 1.5"
<b>PFC + 240W Din-Rail · Soft Switching · ITE Safety</b>							
SNP-D249	24V / 10A / 12A				90 ~ 264VAC	EN55022 B, EN61000-3-2 D	4.8" x 4.92" x 4.06"
<b>250W DC Input · PC Power Supply · ITE Safety</b>							
D12-AX25	5V / 25A 3.3V / 8A	12V / 8A 5Vsb / 0.72A	-12V / 1A	-5V / 0.5A	+12VDC	EN55022 B	5.51" x 5.91" x 339"
<b>PFC + 300W Metal Box · Soft Switching · ITE &amp; Medical Safety</b>							
SNP-B305	18V / 16.7A / 26.7A				90 ~ 264VAC	EN55022 B	3.94" x 9.06" x 1.65"
SNP-B307	12V / 23A / 37.44A				90 ~ 264VAC	EN55022 B	3.94" x 9.06" x 1.65"
SNP-B308	15V / 18.5A / 32A				90 ~ 264VAC	EN55022 B	3.94" x 9.06" x 1.65"
SNP-B309	24V / 11.66A / 15A				90 ~ 264VAC	EN55022 B	3.94" x 9.06" x 1.65"
<b>PFC + 300W Metal Case · Soft Switching · Built-in Fan · ITE Safety</b>							
SNP-E307	12V / 25A				90 ~ 264VAC	EN55022 B, EN61000-3-3	3.3" x 5" x 2.13"
SNP-E308	15V / 20A				90 ~ 264VAC	EN55022 B, EN61000-3-3	3.3" x 5" x 2.13"
SNP-E305	18V / 16.6A				90 ~ 264VAC	EN55022 B, EN61000-3-3	3.3" x 5" x 2.13"
SNP-E309	24V / 12.5A				90 ~ 264VAC	EN55022 B, EN61000-3-3	3.3" x 5" x 2.13"
SNP-E30G	28V / 10.7A				90 ~ 264VAC	EN55022 B, EN61000-3-3	3.3" x 5" x 2.13"
SNP-E30J	36V / 8.3A				90 ~ 264VAC	EN55022 B, EN61000-3-3	3.3" x 5" x 2.13"
SNP-E30T	48V / 6.3A				90 ~ 264VAC	EN55022 B, EN61000-3-3	3.3" x 5" x 2.13"
<b>PFC + 300W Metal Case · Soft Switching · Built-in Fan · 3.1 Ed. Medical Safety</b>							
SNP-E307 -M	12V / 25A				90 ~ 264VAC	EN55022 B, EN61000-3-3	3.3" x 5" x 2.13"
SNP-E308 -M	15V / 20A				90 ~ 264VAC	EN55022 B, EN61000-3-3	3.3" x 5" x 2.13"
SNP-E305 -M	18V / 16.6A				90 ~ 264VAC	EN55022 B, EN61000-3-3	3.3" x 5" x 2.13"
SNP-E309 -M	24V / 12.5A				90 ~ 264VAC	EN55022 B, EN61000-3-3	3.3" x 5" x 2.13"
SNP-E30G-M	28V / 10.7A				90 ~ 264VAC	EN55022 B, EN61000-3-3	3.3" x 5" x 2.13"
SNP-E30J -M	36V / 8.3A				90 ~ 264VAC	EN55022 B, EN61000-3-3	3.3" x 5" x 2.13"
SNP-E30T -M	48V / 6.3A				90 ~ 264VAC	EN55022 B, EN61000-3-3	3.3" x 5" x 2.13"
<b>PFC + 300W U-Shaped Case · Soft Switching · High Efficiency · Green Power · ITE Safety</b>							
SNP-G307	12V / 25A / 45A				90 ~ 264VAC	EN55022 B, EN61000-3-3	4.2" x 8" x 1.65"
SNP-G308	15V / 20A / 40A				90 ~ 264VAC	EN55022 B, EN61000-3-3	4.2" x 8" x 1.65"
SNP-G305	18V / 17A / 34A				90 ~ 264VAC	EN55022 B, EN61000-3-3	4.2" x 8" x 1.65"
SNP-G309	24V / 12.5A / 22.5A				90 ~ 264VAC	EN55022 B, EN61000-3-3	4.2" x 8" x 1.65"
SNP-G30T	48V / 6.3A / 12.6A				90 ~ 264VAC	EN55022 B, EN61000-3-3	4.2" x 8" x 1.65"
SNP-G30H	60V / 5A / 10A				90 ~ 264VAC	EN55022 B, EN61000-3-3	4.2" x 8" x 1.65"
<b>PFC + 300W U-Shaped Case · without Burst Sound · Soft Switching · High Efficiency · Green Power · ITE Safety</b>							
SNP-G307 -A	12V / 25A / 45A				90 ~ 264VAC	EN55022 B, EN61000-3-3	4.2" x 8" x 1.65"
SNP-G308 -A	15V / 20A / 40A				90 ~ 264VAC	EN55022 B, EN61000-3-3	4.2" x 8" x 1.65"
SNP-G305 -A	18V / 17A / 34A				90 ~ 264VAC	EN55022 B, EN61000-3-3	4.2" x 8" x 1.65"
SNP-G309 -A	24V / 12.5A / 22.5A				90 ~ 264VAC	EN55022 B, EN61000-3-3	4.2" x 8" x 1.65"
SNP-G30T -A	48V / 6.3A / 12.6A				90 ~ 264VAC	EN55022 B, EN61000-3-3	4.2" x 8" x 1.65"
SNP-G30H -A	60V / 5A / 10A				90 ~ 264VAC	EN55022 B, EN61000-3-3	4.2" x 8" x 1.65"
<b>PFC + 300W U-Shaped Case · Soft Switching · High Efficiency · Green Power · 3<sup>rd</sup> Ed. Medical Safety</b>							
SNP-G307 -M	12V / 25A / 45A				90 ~ 264VAC	EN55022 B, EN61000-3-3	4.2" x 8" x 1.65"
SNP-G308 -M	15V / 20A / 40A				90 ~ 264VAC	EN55022 B, EN61000-3-3	4.2" x 8" x 1.65"
SNP-G305 -M	18V / 17A / 34A				90 ~ 264VAC	EN55022 B, EN61000-3-3	4.2" x 8" x 1.65"
SNP-G309 -M	24V / 12.5A / 22.5A				90 ~ 264VAC	EN55022 B, EN61000-3-3	4.2" x 8" x 1.65"
SNP-G30T -M	48V / 6.3A / 12.6A				90 ~ 264VAC	EN55022 B, EN61000-3-3	4.2" x 8" x 1.65"
SNP-G30H -M	60V / 5A / 10A				90 ~ 264VAC	EN55022 B, EN61000-3-3	4.2" x 8" x 1.65"

Get 4-page product datasheet through direct link on website

# Standard Products List

MODEL	OUTPUT(Voltage/Rated Load/Peak Load)				INPUT	EMI	SIZE(WxLxH)
	I	II	III	IV			
<b>PFC + 300W U-Shaped Case · without Burst Sound · Soft Switching · High Efficiency · Green Power · 3<sup>rd</sup> Ed. Medical Safety</b>							
SNP-G307 -MA SNP-G308 -MA SNP-G305 -MA SNP-G309 -MA SNP-G30T -MA SNP-G30H -MA	12V / 25A / 45A 15V / 20A / 40A 18V / 17A / 34A 24V / 12.5A / 22.5A 48V / 6.3A / 12.6A 60V / 5A / 10A				90 ~ 264VAC 90 ~ 264VAC 90 ~ 264VAC 90 ~ 264VAC 90 ~ 264VAC 90 ~ 264VAC	EN55022 B, EN61000-3-3 EN55022 B, EN61000-3-3 EN55022 B, EN61000-3-3 EN55022 B, EN61000-3-3 EN55022 B, EN61000-3-3 EN55022 B, EN61000-3-3	4.2" x 8" x 1.65" 4.2" x 8" x 1.65" 4.2" x 8" x 1.65" 4.2" x 8" x 1.65" 4.2" x 8" x 1.65" 4.2" x 8" x 1.65"
<b>PFC + 300W U-Shape Case · Ultra Slim Type · High Mechanical Torque · ITE &amp; 3.1 Ed. Medical Safety</b>							
SNP-P307 -S SNP-P309 -S SNP-P30H-S	12V / 25A / 50A 24V / 12.5A / 25A 60V / 5A / 10A	5Vsb / 1A 5Vsb / 1A 5Vsb / 1A			90 ~ 264VAC 90 ~ 264VAC 90 ~ 264VAC	EN55022 B, EN61000-3-3 EN55022 B, EN61000-3-3 EN55022 B, EN61000-3-3	3.7" x 6.6" x 1.46" 3.7" x 6.6" x 1.46" 3.7" x 6.6" x 1.46"
<b>PFC + 300W Open Frame · High Efficiency · ITE &amp; 3.1 Ed. Medical Safety</b>							
SNP-V307 SNP-V309	12V / 25A / 40A 24V / 12.5A / 20A				90 ~ 264VAC 90 ~ 264VAC	EN55022 B EN55022 B	4" x 6" x 1.38" 4" x 6" x 1.38"
<b>PFC + 300W Metal Box · High Efficiency · ITE &amp; 3.1 Ed. Medical Safety</b>							
SNP-V307 -C SNP-V309 -C	12V / 25A / 40A 24V / 12.5A / 20A				90 ~ 264VAC 90 ~ 264VAC	EN55022 B EN55022 B	4.4" x 6" x 1.72" 4.4" x 6" x 1.72"
<b>PFC + 300W U-Shaped Case · High Efficiency · ITE &amp; 3.1 Ed. Medical Safety</b>							
SNP-V307 -U SNP-V309 -U	12V / 25A / 40A 24V / 12.5A / 20A				90 ~ 264VAC 90 ~ 264VAC	EN55022 B EN55022 B	4.4" x 6" x 1.7" 4.4" x 6" x 1.7"
<b>PFC + 300W U-Shaped Case · Soft Switching · ITE Safety</b>							
SNP-Z301 SNP-Z30D SNP-Z305 SNP-Z306 SNP-Z307 SNP-Z308 SNP-Z308-1 SNP-Z309 SNP-Z30C SNP-Z30T SNP-Z30B	5V / 32A 3.3V/ 20A 18V / 16A 5V / 60A 12V / 25A 15V / 20A 15V / 20A 24V / 12A 9.5V / 25A 48V / 6.25A 3.3V / 70A	12V / 10A 5V / 20A 12V / 1A 5V / 2A 12V / 0.5A 5V / 2A 5V / 2A 5V / 2A	-12V / 1A 12V / 8A		90 ~ 264VAC 90 ~ 264VAC 90 ~ 264VAC 90 ~ 264VAC 90 ~ 264VAC 90 ~ 264VAC 90 ~ 264VAC 90 ~ 264VAC 90 ~ 264VAC 90 ~ 264VAC 90 ~ 264VAC	EN55022 B EN55022 B EN55022 B EN55022 B EN55022 B EN55022 B EN55022 B EN55022 B EN55022 B EN55022 B EN55022 B	5" x 9" x 1.6" 5" x 9" x 1.6" 5" x 9" x 1.6" 5" x 9" x 1.6" 5" x 9" x 1.6" 5" x 9" x 1.6" 5" x 9" x 1.6" 5" x 9" x 1.6" 5" x 9" x 1.6" 5" x 9" x 1.6" 5" x 9" x 1.6"
<b>PFC + 400W ATX Power Supply · Soft Switching · ITE Safety</b>							
SNP-AX40	5V / 30A 3.3V/ 25A	12V / 12A 5Vsb / 2A	-12V / 1A	-5V / 0.5A	90 ~ 264VAC	EN55022 B	5.51" x 5.91" x 3.39"
<b>PFC + 400W U-Shaped Case · Ultra Slim Type · ITE &amp; 3.1 Ed. Meical Safety</b>							
SNP-P407-S SNP-P409-S	12V / 33.3A / 66.6A 24V / 16.7A / 33.3A	5Vsb / 1.5A 5Vsb / 1.5A			90 ~ 264VAC 90 ~ 264VAC	EN55022 B, EN61000-3-3 EN55022 B, EN61000-3-3	4" x 7" x 1.5" 4" x 7" x 1.5"
<b>PFC + 480W Din-Rail · Soft Switching · ITE Safety</b>							
SNP-D489	24V / 20A / 25A				90 ~ 264VAC	EN55022 B, EN61000-3-2 D	4.92" x 9.33" x 4.06"
<b>PFC + 500W U-Shaped Case · BF Application · ITE &amp; 3.1 Ed. Meical Safety</b>							
SNP-F507 SNP-F509 SNP-F50T	12V / 41.6A / 83.2A 24V / 20.8A / 41.6A 48V / 10.4A / 20.8A				90 ~ 264VAC 90 ~ 264VAC 90 ~ 264VAC	EN55011 B, EN55022 B EN55011 B, EN55022 B EN55011 B, EN55022 B	4.5" x 7.5" x 1.65" 4.5" x 7.5" x 1.65" 4.5" x 7.5" x 1.65"
<b>PFC + 600W Metal Box · Soft Switching · ITE Safety</b>							
SNP-F607 SNP-F609 SNP-F60J SNP-F60T	12V / 45.8A / 83.5A 24V / 25A / 42A 36V / 16.67A / 27.8A 48V / 12.5A / 20.8A				90 ~ 264VAC 90 ~ 264VAC 90 ~ 264VAC 90 ~ 264VAC	EN55022 B EN55022 B EN55022 B EN55022 B	5" x 10.83" x 2.95" 5" x 10.83" x 2.95" 5" x 10.83" x 2.95" 5" x 10.83" x 2.95"
<b>PFC + 800W Metal Box · Soft Switching · Built-in Fan · ITE Safety</b>							
SNP-F807 SNP-F809 SNP-F80J SNP-F80T	12V / 66.7A / 83.5A 24V / 33.5A / 42A 36V / 22.2A / 27.8A 48V / 16.7A / 20.8A				90 ~ 264VAC 90 ~ 264VAC 90 ~ 264VAC 90 ~ 264VAC	EN55022 B EN55022 B EN55022 B EN55022 B	5.91" x 10.83" x 2.95" 5.91" x 10.83" x 2.95" 5.91" x 10.83" x 2.95" 5.91" x 10.83" x 2.95"

Get 4-page product datasheet through direct link on website

# Standard Product Distributors

**North America**  
**Silicon Valley World Trade Corp.**  
Tel: 1.408.945.6355  
Fax: 1.408.945.6357  
sales@skynetusa.com  
www.skynetusa.com  
Attn: Jim H. Liang

**North America**  
**Amtek Electronic Co.**  
Tel: 1.714.617.5158  
Fax: 1.714.617.5087  
kao@skynetla.com  
Attn: Kao F. Hsu

**North America**  
**Sager Power Systems**  
Tel: 1.866.588.1750  
power@sager.com  
power.sager.com  
Attn: AJ Tyler

**North and South America**  
**Tri-Mag, LLC.**  
Tel: 1.559.651.2222  
Fax: 1.559.651.0188  
sales@tri-mag.com  
www.tri-mag.com  
Attn: J. M. Li

**U.K.**  
**Fidus Power Ltd.**  
Tel: 44.1183.420.730  
Fax: 44.7575.508.408  
steve@fiduspower.com  
www.fiduspower.com  
Attn: Steve Willis

**Belgium**  
**Acal BFi Belgium**  
Tel: 32.27.20.59.83  
Fax: 32.27.25.10.14  
sales-be@acalbfi.be  
www.acalbfi.be  
Attn: Guy Melon

**Germany**  
**Elektrosil GmbH**  
Tel: 49.40.840001.0  
Fax: 49.40.840001.65  
st@elektrosil.com  
www.elektrosil.com  
Attn: Sebastian Thies

**Germany**  
**Guenther Dienstleistungen GmbH**  
Tel: 49.7082.49135 0  
Fax: 49.7082.49135 22  
info@guenter-psu.de  
www.guenter-psu.de  
Attn: Ulrich Guenter

**Germany**  
**Fortec Elektronik AG**  
Tel: 49.8191.91172-11  
Fax: 49.8191.21770  
sales@fortecag.de  
www.fortecag.de  
Attn: Hubertus Arndt

**Switzerland**  
**Simpex Electronic AG**  
Tel: 41.44.931.1010  
Fax: 41.44.931.1011  
tfischer@simpex.ch  
www.simpex.ch  
Attn: Thomas Fischer

**Switzerland**  
**Altrac AG**  
Tel: 41.44.744.61.72  
Fax: 41.44.744.61.61  
markus.zemp@altrac.ch  
www.altrac.ch  
Attn: Markus Zemp

**Finland**  
**Cool Power Solutions Oy**  
Tel: 358.9.2906.1990  
Fax: 358.9.2906.1991  
tiina@cps.fi  
www.cps.fi  
Attn: Tiina Suominen

**Brazil**  
**Makcel Engenharia**  
Tel: 55.19.98913.8889  
edward@makcel.com  
www.makcel.com  
Attn: Edward Maktura

**Australia**  
**Dewar Electronics Pty. Ltd.**  
Tel: 61.3.9725.3333  
Fax: 61.3.9725.6003  
sales@dewar.com.au  
Attn: Delia Jones

**Japan**  
**Comtecs Co., Ltd.**  
Tel: 81.3.5759.5111  
Fax: 81.3.5759.5115  
mako@comtecs.co.jp  
www.comtecs.co.jp  
Attn: M. Miyaishi

**Israel**  
**Novo Comp**  
Cell: 972.503.250.525  
novo.rfq@gmail.com  
Attn: Smadar Elul

**Korea**  
**Do & Be International Corp.**  
Tel: 82.31.477.6807  
Fax: 82.31.477.6809  
cwlee@donbe.biz  
Attn: C. W. Lee

**Shanghai, Beijing, Shenzhen, Guangzhou**  
**上海永葵电子有限公司**  
**Shanghai Winsunpower Electronic Co., Ltd.**  
China Hotline: 800.707.7557  
Tel: (深圳) 86.755.8885.0277  
Fax: (深圳) 86.755.8885.0278  
winsunpower@gmail.com  
Attn: Benson Chong

**China**  
**Linan Skynet Electronic Co. Ltd.**  
Tel: 86.571.6113.0908  
sales@skynetpower.com.cn  
Attn: Jim H. Liang



# Qualified Customized Project Agents

**North America**  
**Silicon Valley World Trade Corp.**  
 Tel: 1.408.945.6355  
 Fax: 1.408.945.6357  
 sales@skynetusa.com  
 www.skynetusa.com  
 Attn: Jim H. Liang

**North America**  
**Amtek Electronic Co.**  
 Tel: 1.714.617.5158  
 Fax: 1.714.617.5087  
 kao@skynetla.com  
 Attn: Kao F. Hsu

**North America**  
**Sager Power Systems**  
 Tel: 1.866.588.1750  
 power@sager.com  
 power.sager.com  
 Attn: AJ Tyler

**California**  
**eUrasia Power LLC**  
 Tel: 1.805.383.1234  
 Fax: 1.805.435.1689  
 Sales@EurasiaPower.com  
 www.eUrasiaPower.com  
 Attn: Dan Erb

**North and South America**  
**Tri-Mag, LLC.**  
 Tel: 1.559.651.2222  
 Fax: 1.559.651.0188  
 sales@tri-mag.com  
 www.tri-mag.com  
 Attn: J. M. Li

**Kansas**  
**Tradewise**  
 Tel: 1.913.782.8702  
 Fax: 1.913.782.8641  
 dreese@atsks.com  
 www.atsks.com  
 Attn: Dave Reese

**New Jersey**  
**LEDDCO**  
 Tel: 1.732.671.4050  
 Fax: 1.732.671.1972  
 johnny.shih@leddco.com  
 www.leddco.com  
 Attn: Johnny Shih

**New York**  
**KEPCO, INC. - Power Supplies**  
 Tel: 1.718.461.7000  
 Fax: 1.718.767.1102  
 hq@kepcopower.com  
 www.kepcopower.com  
 Attn: Sales Department

**France**  
**SICO**  
 Tel: 33.1.60.70.60.10  
 Fax: 33.1.64.23.41.12  
 sophie.tchen@sicoenergie.com  
 www.sicoenergie.com  
 Attn: Sophie Tchen

**France**  
**CATS S.A.S.**  
 Tel: 33.1.69.07.08.24  
 Fax: 33.1.69.07.17.23  
 communication@cats-france.fr  
 www.cats-france.fr  
 Attn: Alexandra Gandini

**U.K.**  
**Fidus Power Ltd.**  
 Tel: 44.1183.420.730  
 Fax: 44.7575.508.408  
 steve@fiduspower.com  
 www.fiduspower.com  
 Attn: Steve Willis

**Belgium**  
**Telerex nv**  
 Tel: 32.33.26.40.00  
 Fax: 32.33.26.31.17  
 info@telerex-europe.com  
 www.telerex-europe.com  
 Attn: Rudi Vanden Bergh

**Belgium**  
**Acal BFi Belgium**  
 Tel: 32.27.20.59.83  
 Fax: 32.27.25.10.14  
 sales-be@acalbfi.be  
 www.acalbfi.be  
 Attn: Guy Melon

**Denmark**  
**Power Technic ApS**  
 Tel: 45.70.208.210  
 Fax: 45.32.108.109  
 phj@powertechnic.dk  
 www.powertechnic.dk  
 Attn: Peter Holst-Jensen

**Norway**  
**ACTE AS**  
**Member of Lagercrantz Group AB**  
 Tel: 47.63.89.89.00  
 Fax: 47.63.87.90.00  
 info@acte.no  
 www.acte.no

**Germany**  
**Elektrosil GmbH**  
 Tel: 49.40.840001.0  
 Fax: 49.40.840001.65  
 st@elektrosil.com  
 www.elektrosil.com  
 Attn: Sebastian Thies

**Germany**  
**Guenther Dienstleistungen GmbH**  
 Tel: 49.7082.49135 0  
 Fax: 49.7082.49135 22  
 info@guenter-psu.de  
 www.guenter-psu.de  
 Attn: Ulrich Guenter

**Germany**  
**Fortec Elektronik AG**  
 Tel: 49.8191.91172-11  
 Fax: 49.8191.21770  
 sales@fortecag.de  
 www.fortecag.de  
 Attn: Hubertus Arndt

**Italy**  
**XONOX s.r.l.**  
 Monza office: Milano office:  
 Tel: 39.039.203.7520 39.02.7012.2656  
 Fax: 39.039.203.7586 39.02.7611.4735  
 andrea.cereda@xonox.it  
 Attn: Andrea Cereda

**Switzerland**  
**Simpex Electronic AG**  
 Tel: 41.44.931.1010  
 Fax: 41.44.931.1011  
 tfischer@simpex.ch  
 www.simpex.ch  
 Attn: Thomas Fischer

**Switzerland**  
**Altrac AG**  
 Tel: 41.44.744.61.72  
 Fax: 41.44.744.61.61  
 markus.zemp@altrac.ch  
 www.altrac.ch  
 Attn: Markus Zemp

**Netherlands**  
**Acal BFi Netherlands BV**  
 Tel: 31.40.2507.400  
 Fax: 31.40.2507.409  
 sales-nl@acalbfi.nl  
 www.acalbfi.nl  
 Attn: Stefan van Lanen

**Netherlands**  
**Telerex Nederland BV**  
 Tel: 31.76.578.20.00  
 Fax: 31.76.571.14.77  
 info@telerex-europe.com  
 Attn: Christian De Greef

**Poland**  
**Gamma Sp. ZO.O.**  
 Tel: 48.22.8627.502  
 Fax: 48.22.8627.501  
 janusz.kulesza@gamma.pl  
 Attn: Janusz Kulesza

**Finland**  
**Cool Power Solutions Oy**  
 Tel: 358.9.2906.1990  
 Fax: 358.9.2906.1991  
 tiina@cps.fi  
 www.cps.fi  
 Attn: Tiina Suominen

**Sweden**  
**Flexitron AB**  
 Tel: 46.8.73.28.560  
 Fax: 46.8.75.69.132  
 sales@flexitron.se  
 www.flexitron.se  
 Attn: Anders Segerberg

**Australia**  
**Dewar Electronics Pty.Ltd.**  
 Tel: 61.3.9725.3333  
 Fax: 61.3.9725.6003  
 sales@dewar.com.au  
 Attn: Delia Jones

**Norway, Sweden**  
**Denmark, Finland**  
**Acal BFi Nordic AB**  
 Tel: 47.32.16.20.63  
 Mobil: 47.95.99.09.53  
 Jorgen.koppangen@acalbfi.no  
 www.acalbfi.com  
 Attn: Jorgen Koppangen

**Singapore**  
**Seamax Engineering**  
 Tel: 65.6547.1828  
 Fax: 65.6547.1829  
 sales@seamax.com.sg  
 Attn: Sindy Lee

**Japan**  
**Comtecs Co., Ltd.**  
 Tel: 81.3.5759.5111  
 Fax: 81.3.5759.5115  
 mako@comtecs.co.jp  
 www.comtecs.co.jp  
 Attn: M. Miyaishi

**Japan**  
**Skynet (Japan) Co., Ltd.**  
 Tel: 81.3.5759.5117  
 Fax: 81.3.5759.5115  
 ishihara@comtecs.co.jp  
 Attn: T. Ishihara

**Japan**  
**Metro Electric Co., Ltd.**  
 Tel: 81.3.3253.6661  
 Fax: 81.3.3253.3037  
 soufuku-t@metroele.co.jp  
 www.metroele.com  
 Attn: T. Soufuku

**Israel**  
**Horizon Electronics Ltd.**  
 Tel: 972.3.923.0091  
 Fax: 972.3.924.7379  
 dana@horizon.co.il  
 www.horizon.co.il  
 Attn: Dana Kama

**Korea**  
**Do & Be International Corp.**  
 Tel: 82.31.477.6807  
 Fax: 82.31.477.6809  
 cwlee@donbe.biz  
 Attn: C. W. Lee

**Shanghai, Beijing, Shenzhen, Guangzhou**  
**上海永葵电子有限公司**  
**Shanghai Winsunpower Electronic Co., Ltd.**  
 China Hotline: 800.707.7557  
 Tel: (深圳) 86.755.8885.0277  
 Fax: (深圳) 86.755.8885.0278  
 winsunpower@gmail.com  
 Attn: Benson Chong

**China**  
**Linan Skynet Electronic Co., Ltd.**  
 Tel: 86.571.6113.0908  
 sales@skynetpower.com.cn  
 Attn: Jim H. Liang

**BUREAU VERITAS**  
Certification



## **SKYNET ELECTRONIC CO., LTD.**

4th FL., NO. 76, CHEN-KONG ROAD, SEC. 1, NAN KAN DISTRICT,  
TAIPEI, TAIWAN, R.O.C.

This is a multi-site certificate, additional site details are listed in the appendix to this certificate

*Bureau Veritas Certification Holding SAS – UK Branch certifies that the Management System of the above organisation has been audited and found to be in accordance with the requirements of the management system standards detailed below*

## **ISO 9001:2008**

*Scope of certification*

**DESIGN, DEVELOPMENT, MANUFACTURE AND SUPPLY OF SWITCHING POWER SUPPLIES AND ELECTRONIC BALLAST.**

Original cycle start date:	<b>23-July-2002</b>
Expiry date of previous cycle:	<b>NA</b>
Certification / Recertification Audit date:	<b>NA</b>
Certification / Recertification cycle start date:	<b>24-September-2017</b>

Subject to the continued satisfactory operation of the organization's Management System, this certificate expires on: **14-September-2018**

**Certificate No.: TWN4007812Q**

**Version: 01**

**Revision date: 03-October-2017**

Certification body address: **5<sup>th</sup> Floor, 66 Prescott Street, London E1 8HG, United Kingdom**  
Local office: **3F-B, No.16, Nanjing E. Rd., Sec.4, Songshan District, Taipei 10553, Taiwan**



0008

Further clarifications regarding the scope of this certificate and the applicability of the management system requirements may be obtained by consulting the organisation.  
To check this certificate validity please call: **+886 2 2570 7655**



Simpex Electronic Ltd. is performing a supplier evaluation every year. Since the company

## **Skynet Electronic Co. Ltd.**

**TW -ROC- Taipei**

reached 100 %, it attained the status **A-supplier 2017**.

On behalf of the management and of the whole staff of Simpex Electronic Ltd., we congratulate you on this good result.

We are looking forward to our further mutually beneficial cooperation.

**Simpex Electronic Ltd.**

A handwritten signature in blue ink, appearing to read "W. Ruf".

**Walter Ruf**

VRP

A handwritten signature in blue ink, appearing to read "Thomas Fischer".

**Thomas Fischer**

CEO





4F NO.76 CHEN-KONG RD.  
SEC.1 NAN-KAN DISTRICT  
TAIPEI TAIWAN

886-2-27882403~7

886-2-27832862

FAX: 886-2-27882059~60

SALES@SKYNETPOWER.COM.TW  
WWW.SKYNETPOWER.COM.TW

SKYNET ELECTRONIC CO., LTD.

